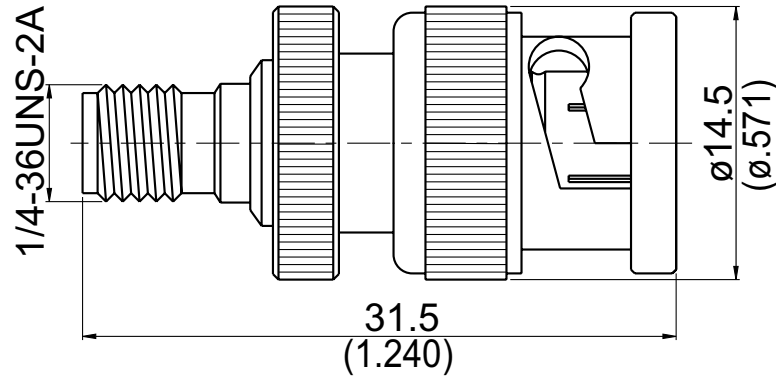


AD-A8B3

SMA Jack To BNC Plug

50Ω



Typical VSWR

Part Number	1 Ghz	2 Ghz	3~4 Ghz
AD-A8B3	1.09	1.18	1.19

Parts	Material	Plating (Micro-inch)
Gasket	Silicon	
Spring	SK 5	Tin-Zinc-Copper-Alloy 100 Over Copper 50
Washer	Brass	Tin-Zinc-Copper-Alloy 100 Over Copper 50
Body(SMA)	Brass	Gold 5 Over Nickel 50 Over Copper 50
Center Pin	Phosphor Bronze	Gold 10 Over Nickel 50 Over Copper 50
Insulator	Teflon	
Body(BNC)	Brass	Tin-Zinc-Copper-Alloy 100 Over Copper 50
Coupling Nut(BNC)	Brass	Tin-Zinc-Copper-Alloy 100 Over Copper 50

Weight: 14.93 g

This part number complies with RoHS.

Notice: JYEBAO reserves the right to make modifications deemed appropriate.