



EUROPEAN ANTENNAS



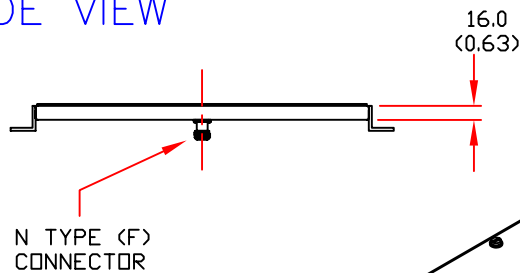
FLAT PLATE ANTENNA

MODEL: FPA13-19V/229

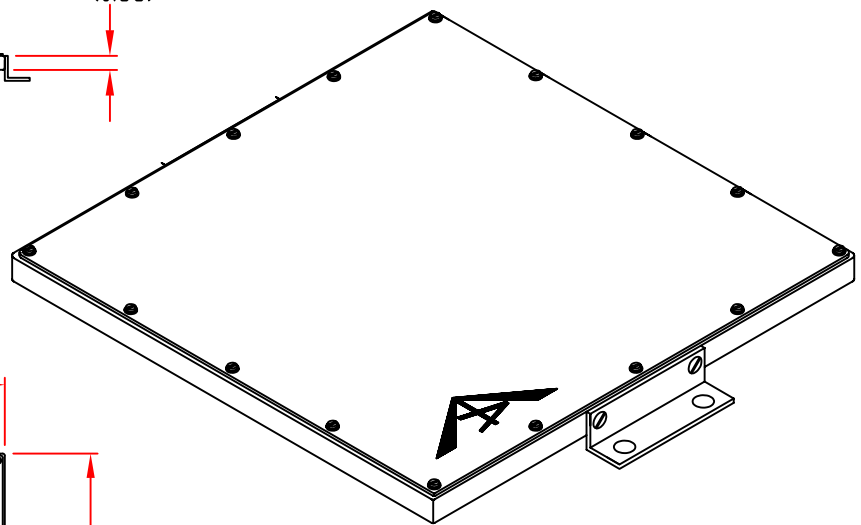
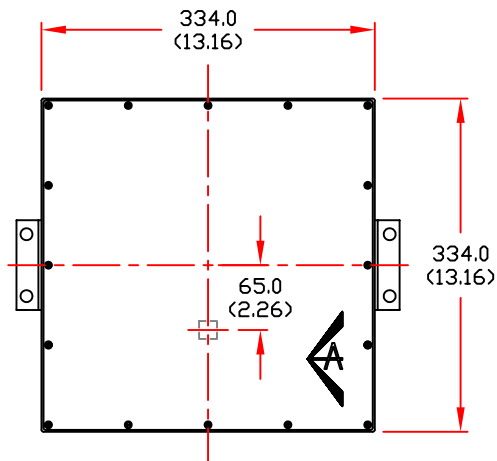
FREQUENCY: 1.85 - 2.00 GHz	GAIN: 13 dBi
POLARISATION: Linear (Vertical)	BEAMWIDTH: 40° x 40° APPROX
CROSS POLAR: 20 dB	VSWR: 1.5 : 1
POWER RATING: 20 W	FRONT TO BACK: 30 dB
TEMPERATURE: -20°C to +50°C	MASS: 1.2 Kg / 2.6lbs
FINISH: Glass Fibre/Gloss White	WIND LOADING: 25Kg/55ibs @100mph

ISOMETRIC VIEW

SIDE VIEW

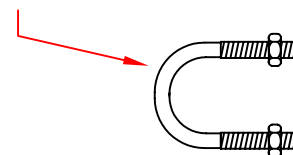


PLAN VIEW



MOUNTING VIA MOUNTING KIT
MKFPA19-25/164

MOUNTING
BRACKET



DIMENSIONS: in mm (inches)

GA 229-1 Issued 041296

EUROPEAN ANTENNAS LTD.

LAMBDA HOUSE, CHEVELEY,
NEWMARKET, SUFFOLK, CB8 9RG,
UNITED KINGDOM

TEL: +44 (0)1638 731888

FAX: +44 (0)1638 731999

European Antennas Ltd has a policy of continuous development and therefore stress that the data contained on this sheet should be used for guidance only.