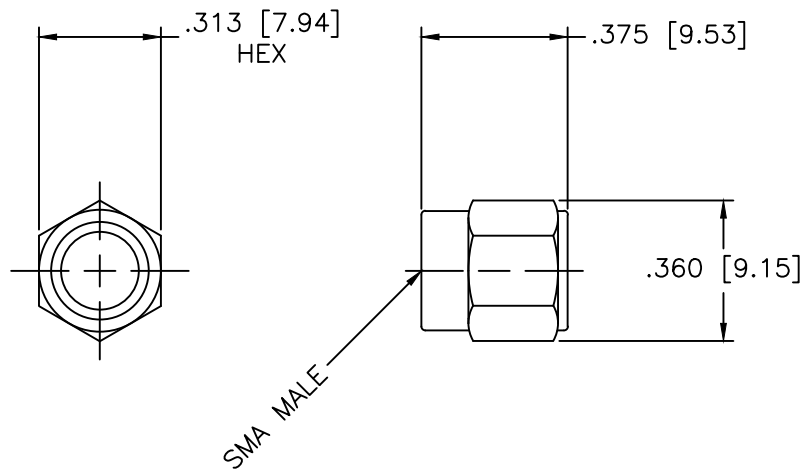


REVISIONS				
ZONE	REV	DESCRIPTION	DATE	APPROVED

1 WATT (500 WATTS PEAK)



MODEL NUMBER	FREQUENCY RANGE (GHz)	VSWR MAX.	POWER HANDLING
TSM-1	DC-12	1.15:1	1 WATT
TSM-2	DC-18	1.15:1	1 WATT
TSM-3	DC-12	1.25:1	2 WATTS
TSM-4	DC-18	1.25:1	2 WATTS

MATERIAL:			MICROWAVE COMMUNICATIONS LABORATORIES INC. 7255 30TH AVE. N. SAINT PETERSBURG, FL 33710 TEL: (727) 344-6254 FAX: (727) 381-6116 http://WWW.MCLI.COM		SCALE: N/A
			UNLESS OTHERWISE SPECIFIED: TOLERANCES IN (INCHES) OR [mm] (MILLIMETERS) FRACTIONS: ± 1/64 DECIMALS: ±.01 ±.005 ANGLE: ±1/2°		SHEET: N/A
DRAWN: Paiboon Luekhamhan		DATE: 12-07-1997	DRAWING TITLE: TERMINATION		
APPROVED: T. Nguyen		DATE: 12-07-1997	PART NO. TSM-1, -2,-3,-4		
PROPRIETARY NOTICE: THE INFORMATION IN THIS DRAWING IS PROPRIETARY AND SHALL NOT BE USED OR DISCLOSED WITHOUT WRITTEN PERMISSION FROM MICROWAVE COMMUNICATIONS LABORATORIES INC. (MCLI)			CAGE CODE: OD2L5	SIZE: N/A	REV: N/A
			DO NOT SCALE THE DRAWING		DWG NO. 80769