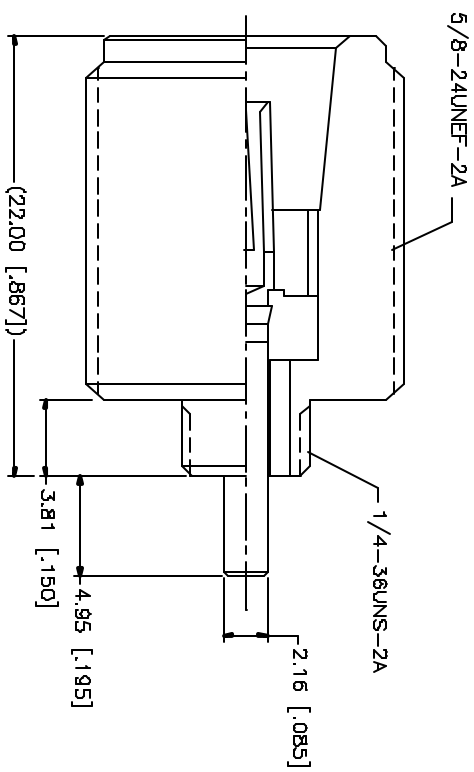
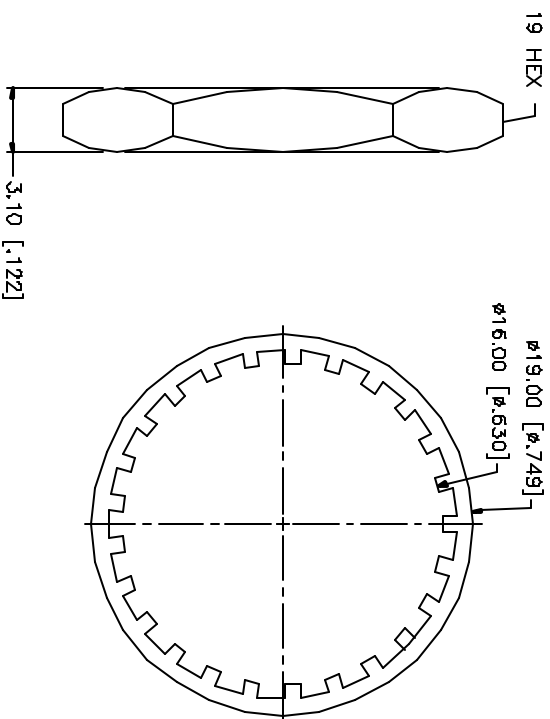


REV.	DATE	DESCRIPTION
NC	06/29/04	INITIAL RELEASE



**NOTES:**

1. MAX. PANEL THICKNESS = 2.5mm

USE OTHER SPEC'D DIMENSIONS ARE  
 HIDDEN AND FOR DIMENSION ONLY.  
 DIMENSIONS FOR MILLING AND  
 TOLERANCES FOR MILLING AND

0.5 - Bmin ± 0.20mm  
 .8 - 30min ± 0.40mm  
 .30 - 120min ± 0.50mm

USE OTHER SPEC'D  
 DIMENSIONS FOR TAPS AND  
 TOLERANCES FOR TAPS AND  
 .020 - .315 = ± 0.007"  
 .315 - 1.180 = ± 0.015"  
 1.180 - 4.724 = ± 0.020"

DO NOT SCALE DRAWING

8							
7							
6							
5	HEX NUT	BRASS	NICKEL	1			
4	LOCK WASHER	BRASS	NICKEL	1			
3	INSULATOR	TEFLON	NATURAL	1			
2	CONTACT PIN	BER, COPPER	GOLD	1			
1	HOUSING/BODY	BRASS	BOLD	1			
DESCRIPTION		MATERIAL	FINISH	QTY			

**Amphenol Connex**

N JACK TO MCX JACK MODIFIED ADAPTER

PART NO. 242191-10

APPROVALS	DATE	DWG. NO.	REV. NC	SIZE	SCALE
DRAWN G.R.S.	06/29/04	242191-10.DWG		A	NA
CHECKED					
ISSUED					
SHEET 1 OF 1					