

BIAS TEES

2.4mm, 50 kHz - 50 GHz, 25 Volts / 150 mA

RoHS
Compliant

SPECIFICATIONS:

Models: 8810EMFX-50, 8810EFFX-50, 8810EMMX-50, 8810EFMX-50



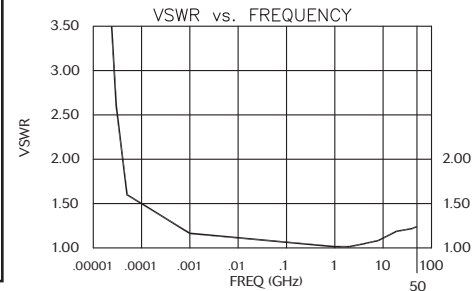
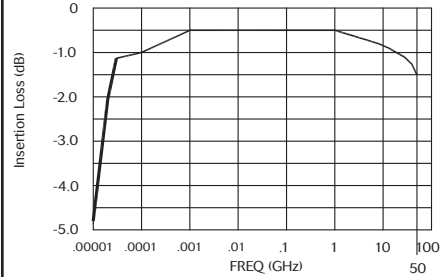
Electrical:

Frequency Range _____ 50 kHz - 50 GHz
 VSWR: _____ 1.80:1 Max.
 Insertion Loss:
 100 kHz _____ 0.5dB Typical
 50 kHz - 18 GHz _____ 1.5dB Max.
 18 - 40 GHz _____ 3.0dB Max.
 40 - 50 GHz _____ 3.0dB Typ.; 4.0dB Max.
 Impedance _____ 50 Ohms
 Isolation (RF to Bias Port):
 250 kHz - 26 GHz _____ 50dB Typical
 100 kHz - 50 GHz _____ 30dB Typ.
 DC Voltage _____ 25 VDC Max.
 DC Current _____ 150 mA Max.
 Rise Time (10% - 90%) _____ < 9 pS Typical

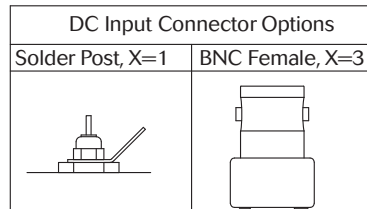
Mechanical:

2.4mm Connectors _____ Passivated Stainless Steel
Mates with 1.85mm & V* Connectors
 Conductors _____ Gold Plated Beryllium Copper
 Housing _____ Aluminum with Chemical Conv. Coating
 or Gold Plated Brass
 SMA Connectors _____ Passivated Stainless Steel
Mates with MIL-STD-348
 BNC Connectors _____ Nickel Plated Brass
Mates with MIL-STD-348

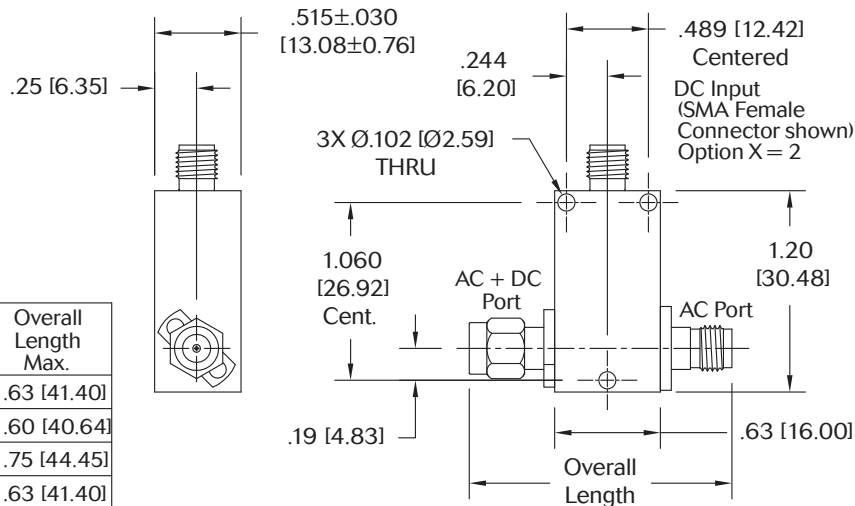
Typical performance from 50 kHz - 50 GHz
 INSERTION LOSS vs. FREQUENCY



*V is a trademark of Anritsu Corp.



Model Numbers	Connector Configuration Port		Overall Length Max.
	AC + DC	AC	
8810EMFX-yy	Male	Female	1.63 [41.40]
8810EFFX-yy	Female	Female	1.60 [40.64]
8810EMMX-yy	Male	Male	1.75 [44.45]
8810EFMX-yy	Female	Male	1.63 [41.40]



HOW TO ORDER:

Model Number: **8810EyyX-50**

Base Number | DC Connector Type
 1 = Solder Post
 2 = SMA Female Conn.
 3 = BNC Female Conn.

Ordering Examples:

Model Number: **8810EFF2-50**
 50 KHz - 50 GHz, 2.4mm Fem/Fem
 SMA Female DC Connector Type
 Model Number: **8810EMF1-50**
 50 KHz - 50 GHz, 2.4mm Male/Fem
 Solder Post DC Connector Type

Note: Dimensions in Brackets are Expressed in Millimeters and are for Reference Only.
 Design specifications are subject to change without notice.
 Contact factory for technical specifications before purchasing or use.

8810E: REV P



Aeroflex / Inmet, Inc. • 300 Dino Drive, Ann Arbor, MI 48103 • U.S.A.
 888-244-6638 or 734-426-5553 • FAX: 734-426-5557
 www.aeroflex.com/inmet • inmet-sales@eroflex.com