



Low PIM 4.1/9.5 Mini DIN Female to N Male Adapter

TECHNICAL DATA SHEET

PE91094

Low PIM 4.1/9.5 Mini DIN Female to N Male Adapter

Configuration

Connector 1	4.1/9.5 Mini DIN Female
Impedance 1	50 Ohms
Connector 2	N Male
Impedance 2	50 Ohms
Adapter Design	Low PIM
Body Style	Straight

Electrical Specifications

Frequency Range, GHz	DC to 6
Maximum VSWR	1.25:1
Maximum Passive Intermodulation (2 x 20 Watts), dBc	-160

Frequency 1

Frequency, GHz	DC to 3
VSWR	1.1:1

Frequency 2

Frequency, GHz	3 to 4
VSWR	1.15:1

Mechanical Specifications

Temperature

Operating Range, deg C	-55 to +120
------------------------	-------------

Size

Length, in [mm]	1.8 [45.72]
Width/Dia., in [mm]	0.78 [19.81]

Connector 1

Type	4.1/9.5 Mini DIN Female
Mating Cycles	500
Inner Conductor Material and Plating	Beryllium Copper, Silver
Outer Conductor Material and Plating	Brass, Tri-Metal
Body Material and Plating	Brass, Tri-Metal
Dielectric Type	PTFE

Connector 2

Type	N Male
Mating Cycles	500
Inner Conductor Material and Plating	Beryllium Copper, Silver
Coupling Nut Material and Plating	Brass, Tri-Metal

Click the following link (or enter part number in "SEARCH" on website) to obtain additional part information including price, inventory and certifications: [Low PIM 4.1/9.5 Mini DIN Female to N Male Adapter PE91094](#)

The information contained in this document is accurate to the best of our knowledge and representative of the part described herein. It may be necessary to make modifications to the part and/or the documentation of the part, in order to implement improvements. Pasternack reserves the right to make such changes as required. Unless otherwise stated, all specifications are nominal.



Low PIM 4.1/9.5 Mini DIN Female to N Male Adapter

TECHNICAL DATA SHEET

PE91094

Hex Size, mm	22
Body Material and Plating	Brass, Tri-Metal
Dielectric Type	PTFE

Compliance Certifications (visit www.Pasternack.com for current document)

RoHS Compliant	Yes
----------------	-----

Plotted and Other Data

Notes:	Values at 25 °C, sea level
--------	----------------------------

Low PIM 4.1/9.5 Mini DIN Female to N Male Adapter from Pasternack Enterprises has same day shipment for domestic and International orders. Our RF, microwave and fiber optic products maintain a 99% availability and are part of the broadest selection in the industry.

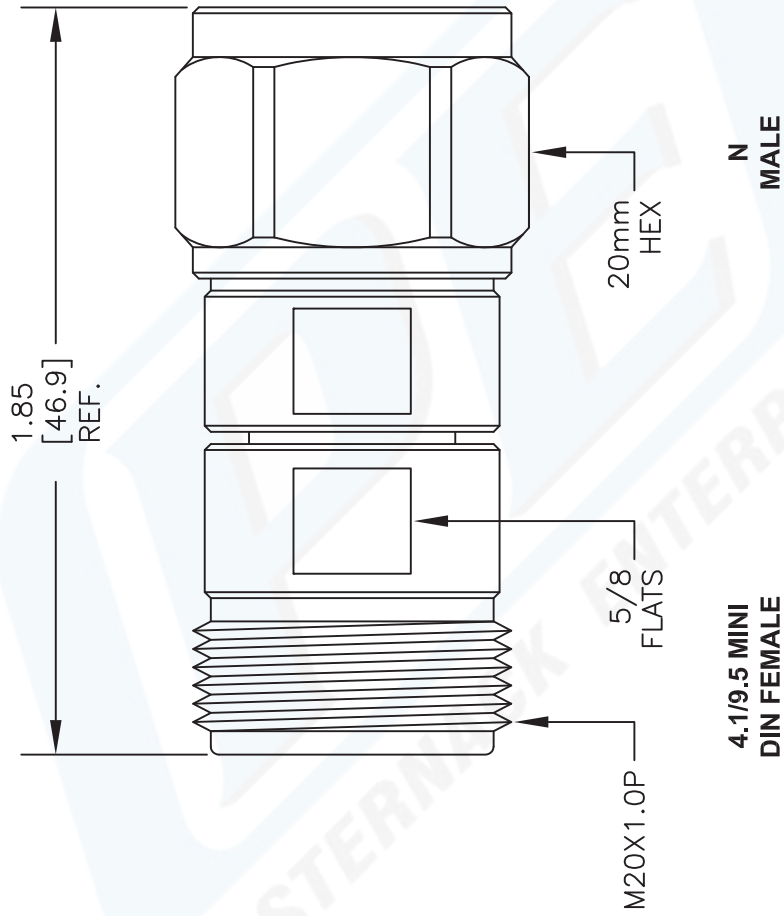
Click the following link (or enter part number in "SEARCH" on website) to obtain additional part information including price, inventory and certifications: [Low PIM 4.1/9.5 Mini DIN Female to N Male Adapter PE91094](http://www.pasternack.com/4.1-9.5-mini-din-female-n-male-straight-adapter-pe91094-p.aspx)

URL: <http://www.pasternack.com/4.1-9.5-mini-din-female-n-male-straight-adapter-pe91094-p.aspx>

The information contained in this document is accurate to the best of our knowledge and representative of the part described herein. It may be necessary to make modifications to the part and/or the documentation of the part, in order to implement improvements. Pasternack reserves the right to make such changes as required. Unless otherwise stated, all specifications are nominal.

PE91094 CAD Drawing

Low PIM 4.1/9.5 Mini DIN Female to N Male Adapter



NOTES:
 1. UNLESS OTHERWISE SPECIFIED ALL DIMENSIONS ARE NOMINAL.
 2. ALL SPECIFICATIONS ARE SUBJECT TO CHANGE WITHOUT NOTICE AT ANY TIME.
 3. DIMENSIONS ARE IN INCHES [mm].

DWG TITLE
PE91094

FSCM NO. 53919

2233

SIZE A

SCALE N/A

CAD FILE 010814

PE PASTERNAK
 Pasternack Enterprises, Inc.
 P.O. Box 16759 | Irvine | CA | 92623
Phone: (949) 261-1920 | **Fax:** (949) 261-7451
Website: www.pasternack.com | **E-Mail:** sales@pasternack.com