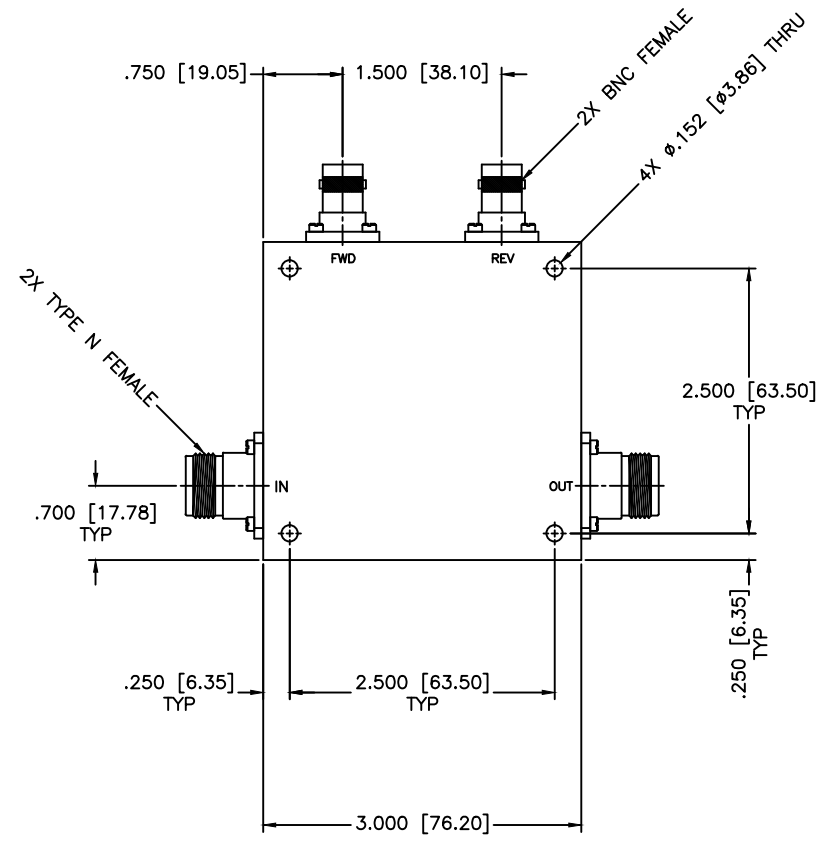
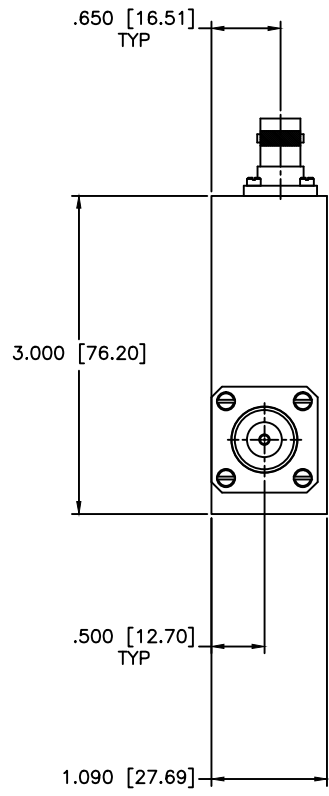


REVISIONS				
ZONE	REV	DESCRIPTION	DATE	APPROVED



SPECIFICATIONS

FREQUENCY RANGE: 1000–2000 MHz
 FREQUENCY SENSITIVITY: ± 0.30 dB
 INSERTION LOSS: 0.20 dB Max.
 DIRECTIVITY: 20 dB Min.
 VSWR: 1.20:1 Max.
 POWER: 100W CW

MATERIAL:		 MCLI MICROWAVE COMMUNICATIONS LABORATORIES INC. 7255 30TH AVE. N. SAINT PETERSBURG, FL 33710 TEL: (727) 344-6254 FAX: (727) 381-6116 http://WWW.MCLI.COM	SCALE:	N/A
			SHEET:	N/A
		UNLESS OTHERWISE SPECIFIED: TOLERANCES IN (INCHES) OR [mm] (MILLIMETERS) FRACTIONS: $\pm 1/64$ DECIMALS: $\pm 0.02 \pm 0.08$ ANGLE: $\pm 1/2^\circ$	DRAWING TITLE: 40dB DUAL DIRECTIONAL COUPLER	
		PROPRIETARY NOTICE: THE INFORMATION IN THIS DRAWING IS PROPRIETARY AND SHALL NOT BE USED OR DISCLOSED WITHOUT WRITTEN PERMISSION FROM MICROWAVE COMMUNICATIONS LABORATORIES INC. (MCLI)	PART NO.: HDL-2-40	
DRAWN: Paiboon Luekhamhan	DATE: 03-26-1999	 THIRD ANGLE PROJECTION	CAGE CODE:	OD2L5
APPROVED: T. Nguyen	DATE: 03-26-1999		SIZE:	N/A
			REV:	N/A
			DWG NO.:	81226
			DO NOT SCALE THE DRAWING	