



2 dB Fixed Attenuator, 2.92mm Male To 2.92mm Female  
Passivated Stainless Steel Body Rated To 2 Watts Up To 40 GHz

## TECHNICAL DATA SHEET

PE7395-2

### Configuration

Design	Fixed Attenuator
Connector 1	2.92mm Male
Connector 2	2.92mm Female
Body Material and Plating	Passivated Stainless Steel

### Electrical Specifications \* Values at 25°C, sea level

Description	Minimum	Typical	Maximum	Units
Frequency Range	DC		40	GHz
Impedance		50		Ohms
Attenuation Value		2		dB
Accuracy Statement	Attenuation Accuracy is +/- 8 dB			
Input Power			2	Watts
Peak Power			100	Watts
VSWR			1.6:1	

### Specifications by Frequency

Description	F1	F2	F3	F4	F5	Units
Range	DC to 40					GHz
Attenuation Accuracy	± 0.8					dB

### Mechanical Specifications

#### Temperature

Operating Range	-55 to +125 deg C
Storage Range	-55 to +125 deg C

#### Size

Length	1.04 in [26.42 mm]
Width	0.35 in [8.89 mm]
Weight	0.011 lbs [4.99 g]

Click the following link (or enter part number in "SEARCH" on website) to obtain additional part information including price, inventory and certifications: [2 dB Fixed Attenuator, 2.92mm Male To 2.92mm Female Passivated Stainless Steel Body Rated To 2 Watts Up To 40 GHz PE7395-2](#)



2 dB Fixed Attenuator, 2.92mm Male To 2.92mm Female  
Passivated Stainless Steel Body Rated To 2 Watts Up To 40 GHz

TECHNICAL DATA SHEET

PE7395-2

**Connectors**

Description	Connector 1	Connector 2
Type	2.92mm Male	2.92mm Female
Connector Specification	MIL-C-39012	MIL-C-39012
Contact Material and Plating	Beryllium Copper, Gold	Beryllium Copper, Gold
Contact Plating Specification		1.3µm
Coupling Nut Material and Plating	Passivated Stainless Steel	Passivated Stainless Steel
Body Material and Plating	Passivated Stainless Steel	Passivated Stainless Steel

**Compliance Certifications** (visit [www.Pasternack.com](http://www.Pasternack.com) for current document)  
RoHS Compliant

**Plotted and Other Data**

Notes:

- Values at 25 °C, sea level
- VSWR: Typical is 1.4:1, 1.6:1 is Max.

Click the following link (or enter part number in "SEARCH" on website) to obtain additional part information including price, inventory and certifications: [2 dB Fixed Attenuator, 2.92mm Male To 2.92mm Female Passivated Stainless Steel Body Rated To 2 Watts Up To 40 GHz PE7395-2](#)



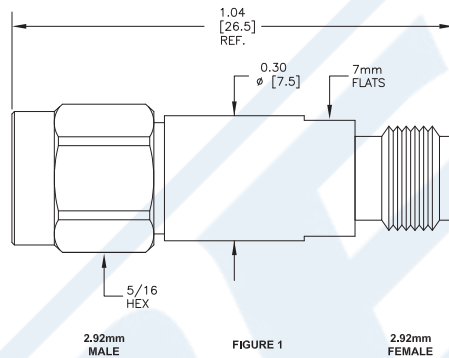


2 dB Fixed Attenuator, 2.92mm Male To 2.92mm Female  
Passivated Stainless Steel Body Rated To 2 Watts Up To 40 GHz

TECHNICAL DATA SHEET

PE7395-2

Outline Drawing



P/N	ATTEN.	FIGURE
PE7395-0	0 dB	1
PE7395-1	1 dB	1
PE7395-2	2 dB	1
PE7395-3	3 dB	1
PE7395-4	4 dB	1
PE7395-5	5 dB	1
PE7395-6	6 dB	1
PE7395-7	7 dB	1
PE7395-8	8 dB	1
PE7395-9	9 dB	1
PE7395-10	10 dB	1
PE7395-12	12 dB	1
PE7395-15	15 dB	1
PE7395-20	20 dB	1

2 dB Fixed Attenuator, 2.92mm Male To 2.92mm Female Passivated Stainless Steel Body Rated To 2 Watts Up To 40 GHz from Pasternack Enterprises has same day shipment for domestic and International orders. Our RF, microwave and millimeter wave products maintain a 99% availability and are part of the broadest selection in the industry.

Click the following link (or enter part number in "SEARCH" on website) to obtain additional part information including price, inventory and certifications: [2 dB Fixed Attenuator, 2.92mm Male To 2.92mm Female Passivated Stainless Steel Body Rated To 2 Watts Up To 40 GHz PE7395-2](http://www.pasternack.com/2db-fixed-2.92mm-male-2.92mm-female-2-watts-attenuator-pe7395-2-p.aspx)

URL: <http://www.pasternack.com/2db-fixed-2.92mm-male-2.92mm-female-2-watts-attenuator-pe7395-2-p.aspx>

