

## Microstrip Circulator

Part Number: KTMC-2002A

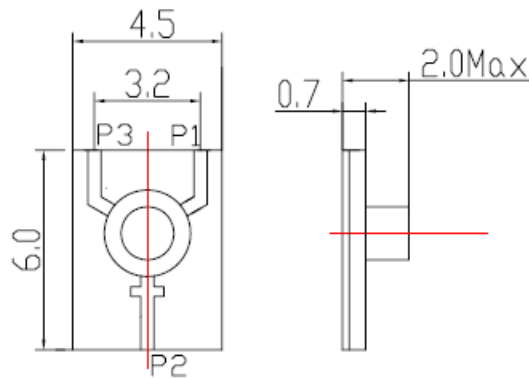
### Main Features:

- Frequency Range: 19.5GHz - 23.0GHz
- Small Size, Low Profile, Compact Design
- High Isolation, Low Insertion Loss
- Wide Operating Temperature : -55°C~+85°C
- Commercial, Military and Space Applications

### Electrical Specifications at Room Temperature:

Part Number	Freq. Range (GHz)	Bandwidth Max. (MHz)	Insertion Loss Max. (dB)	Isolation Min. (dB)	VSWR Max.	Dimension (mm)
KTMC-2002A	19.5 - 23.0	full	0.8	15	1.40	4.5*6*2

### Mechanical Dimensions (mm):



### HOW TO ORDER

