

General Description

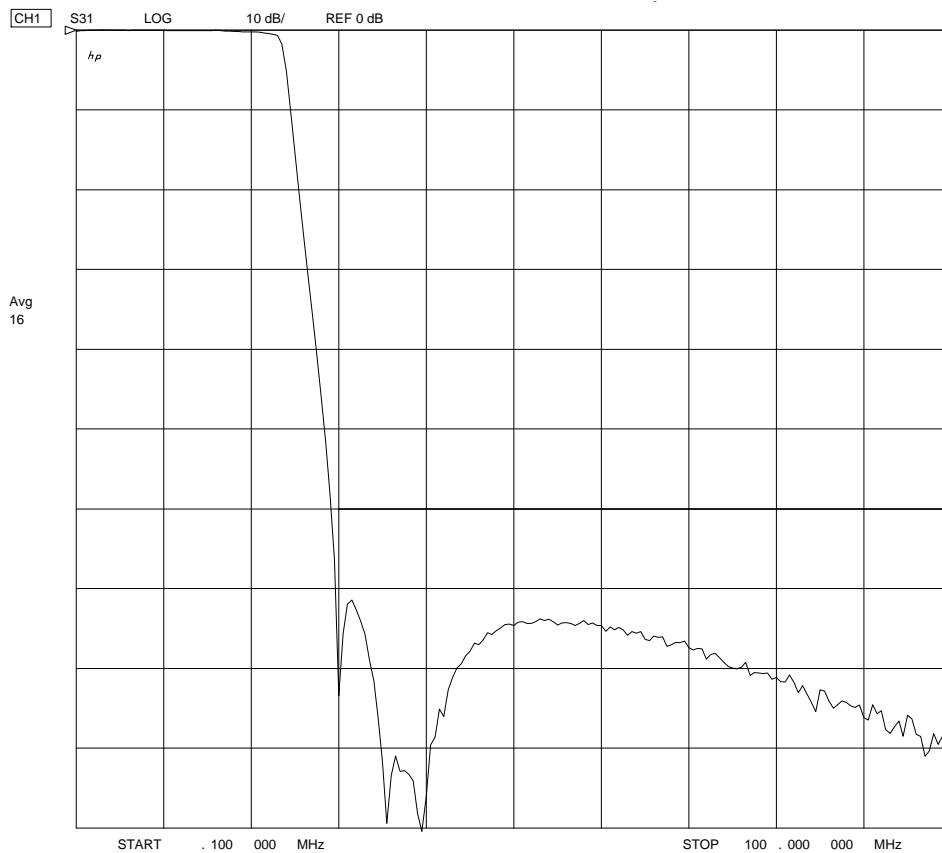
KR Electronics part number 2999 is a 20 MHz lowpass filter. The filter has a minimum 2 dB bandwidth of 20 MHz. Other center frequencies and bandwidths available. Please consult the factory.

Features

- 20 MHz Lowpass
- 60 dB Rejection min at 30 MHz
- Elliptic Type for High Selectivity
- 50 Ω Source and Load
- Surface Mount

Typical Performance

Overall Response
(10 dB/div)

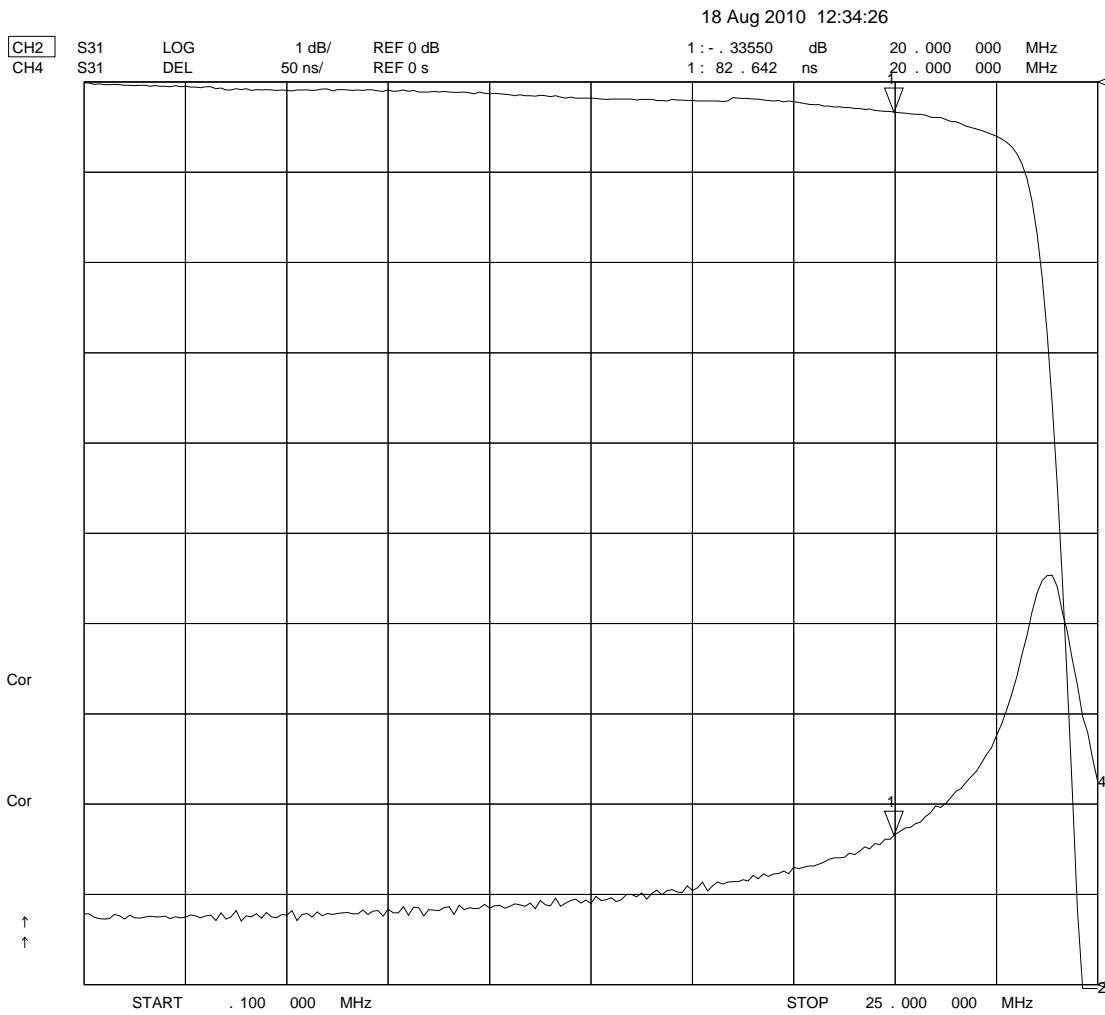


KR Electronics, Inc.
91 Avenel Street
Avenel, NJ 07001

Web www.krfilters.com
Email sales@krfilters.com
Phone (732) 636-1900
Fax (732) 636-1982

Typical Performance

Passband Amplitude & Group Delay
(1 dB/div & 50 nsec/div)

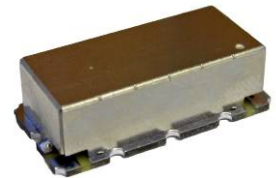
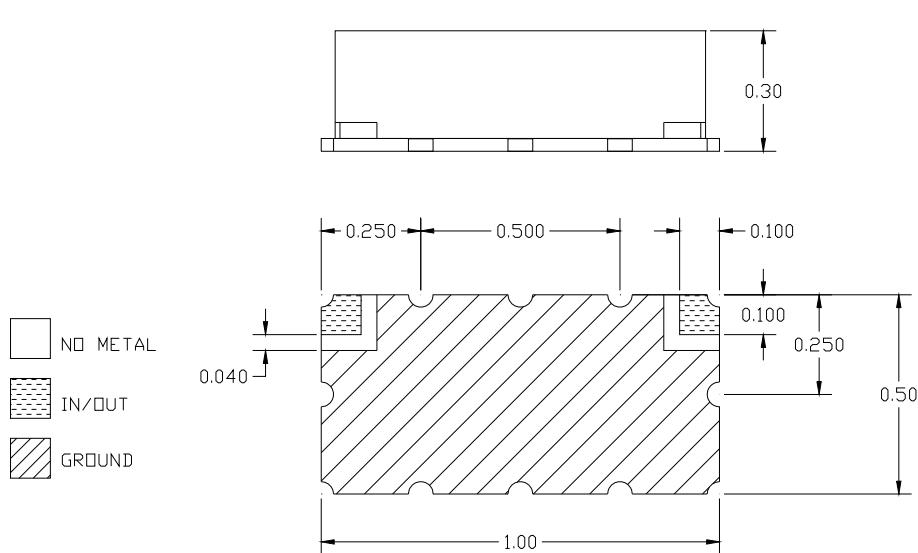


KR Electronics 2999

Specifications

Parameter	Specification	
Filter type	Lowpass	
End of Passband (< 2 dB)	20 MHz	< 0.5 dB typical
Rejection at 30 MHz	60 dB min	70 dB typical
Typical 1 dB Frequency	23 MHz	
Typical 3 dB Frequency	23.8 MHz	
Typical 40 dB Frequency	27.5 MHz	
Typical 60 dB Frequency	29.2 MHz	
Source and Load	50 Ω	

Physical Dimensions



Notes:

1. Surface mount package
2. Dimensions in inches
3. Max reflow temperature 209° C for 10 sec
4. If boards are cleaned after installation units must be completely dried

KR Electronics, Inc.
91 Avenel Street
Avenel, NJ 07001

Web www.krfilters.com
Email sales@krfilters.com
Phone (732) 636-1900
Fax (732) 636-1982