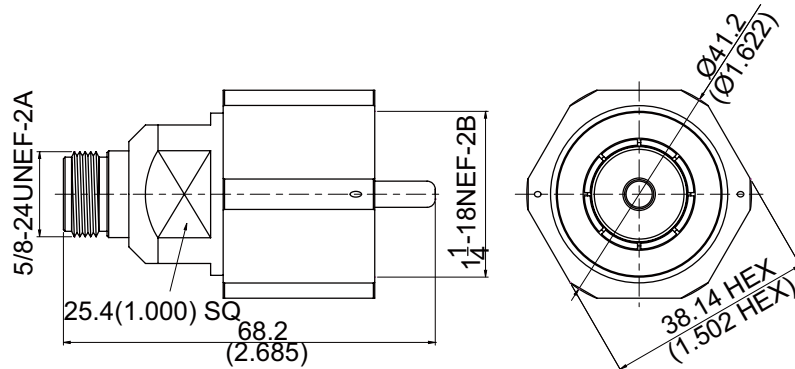


| | | |
|----------|-------------------|-----|
| AD-N8LC3 | N Jack To LC Plug | 50Ω |
|----------|-------------------|-----|



NOTE: SMALL LC Standard Plug.

Typical VSWR

| Part Number | 0.5Ghz | 1Ghz |
|-------------|--------|------|
| AD-N8LC3 | 1.02 | 1.2 |

| Parts | Material | Plating (Micro-inch) |
|--------------|------------------|--|
| Renber Ring | Brass | Tin-Zinc-Copper-Alloy 100 Over Copper 50 |
| Gasket | Silicon | |
| Contact Pin | Beryllium Copper | Silver 150 Over Copper 50 |
| Insulator | Teflon | |
| Body | Brass | Tin-Zinc-Copper-Alloy 100 Over Copper 50 |
| Coupling Nut | Brass | Tin-Zinc-Copper-Alloy 100 Over Copper 50 |

Weight:

This part number complies with RoHS.

Notice: JYEBAO reserves the right to make modifications deemed appropriate.