



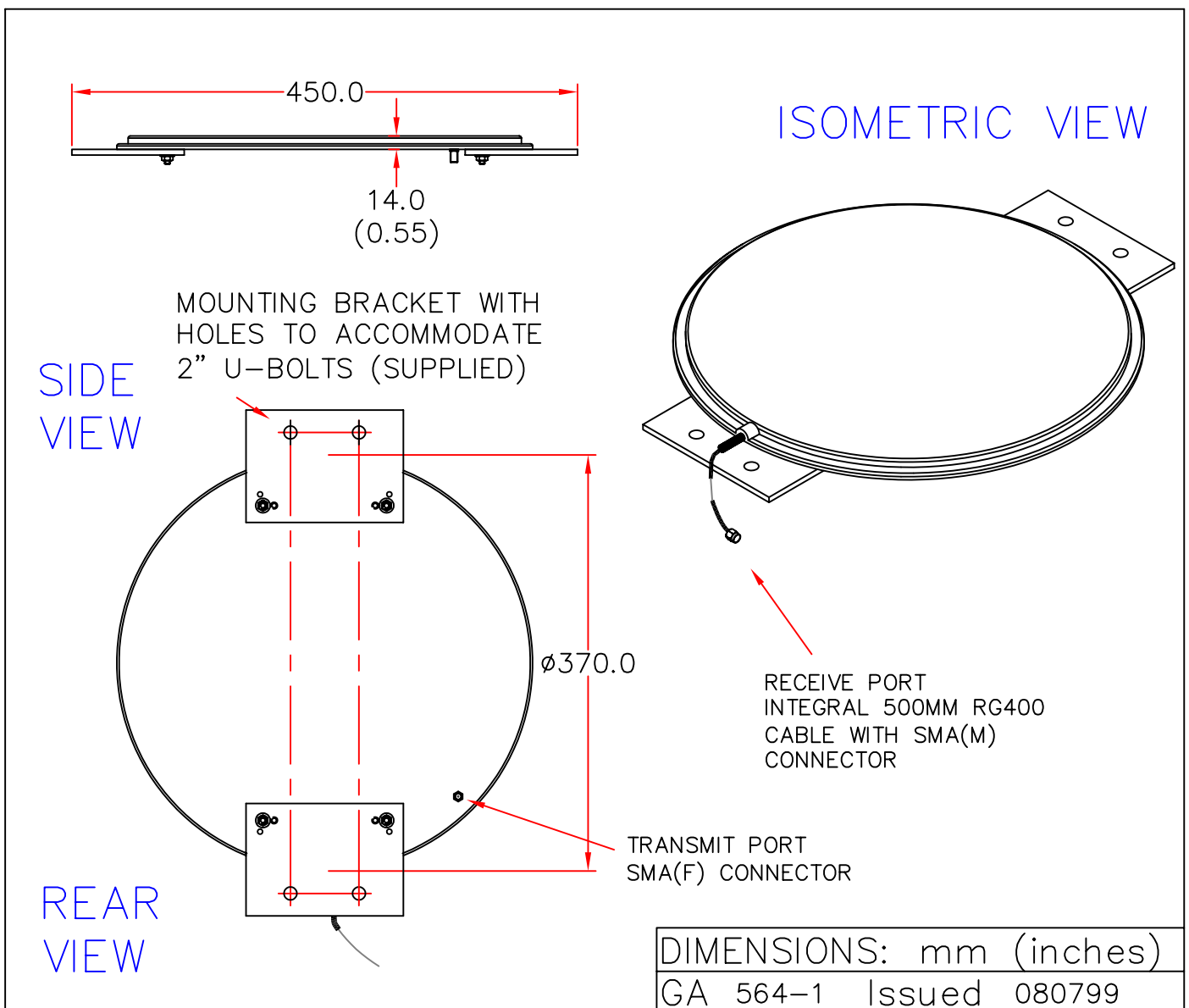
EUROPEAN ANTENNAS



DIRECTIONAL DUAL FLAT PANEL ANTENNA WITH DIFFERENTIAL GAIN
FOR EXTENDED RANGE WIRELESS LAN APPLICATIONS

MODEL: DFPA18-6-2450R-502/564

FREQUENCY: 2.40 – 2.50 GHz	GAIN: Rx 17.0dBiC(inc cable) Tx 6.0dBiC
POLARISATION: R.H.Circular	BEAMWIDTH: Rx 20°x20° Tx 70°x90°
FRONT TO BACK: 30 dB Rx, 20dB Tx	VSWR: 1.5 : 1
TEMPERATURE: -30°C to +55°C	MASS: 1.75Kg/3.85lbs (including mtg kit)
RADOME: White ABS	WIND LOADING: 19.7Kg/43.4lbs @100mph



EUROPEAN ANTENNAS LTD.

TEL: +44 (0)1638 731888

LAMBDA HOUSE, CHEVELEY,
NEWMARKET, SUFFOLK, CB8 9RG,
UNITED KINGDOM.

FAX: +44 (0)1638 731999

European Antennas Ltd. has a policy of continuous development and therefore stress that the data contained on this sheet should be used for guidance only.