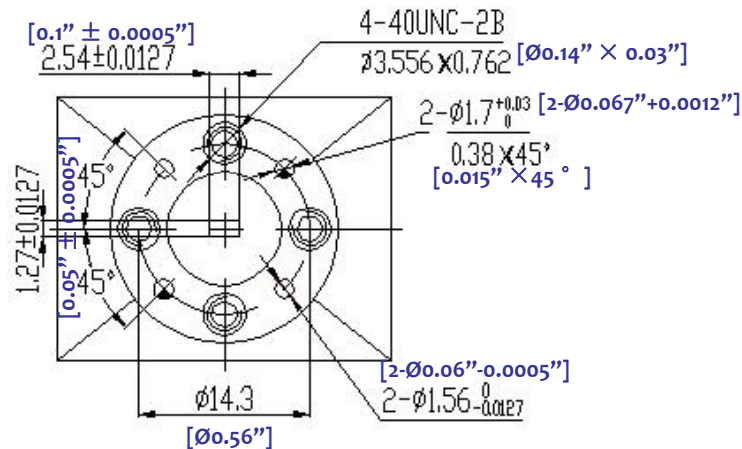
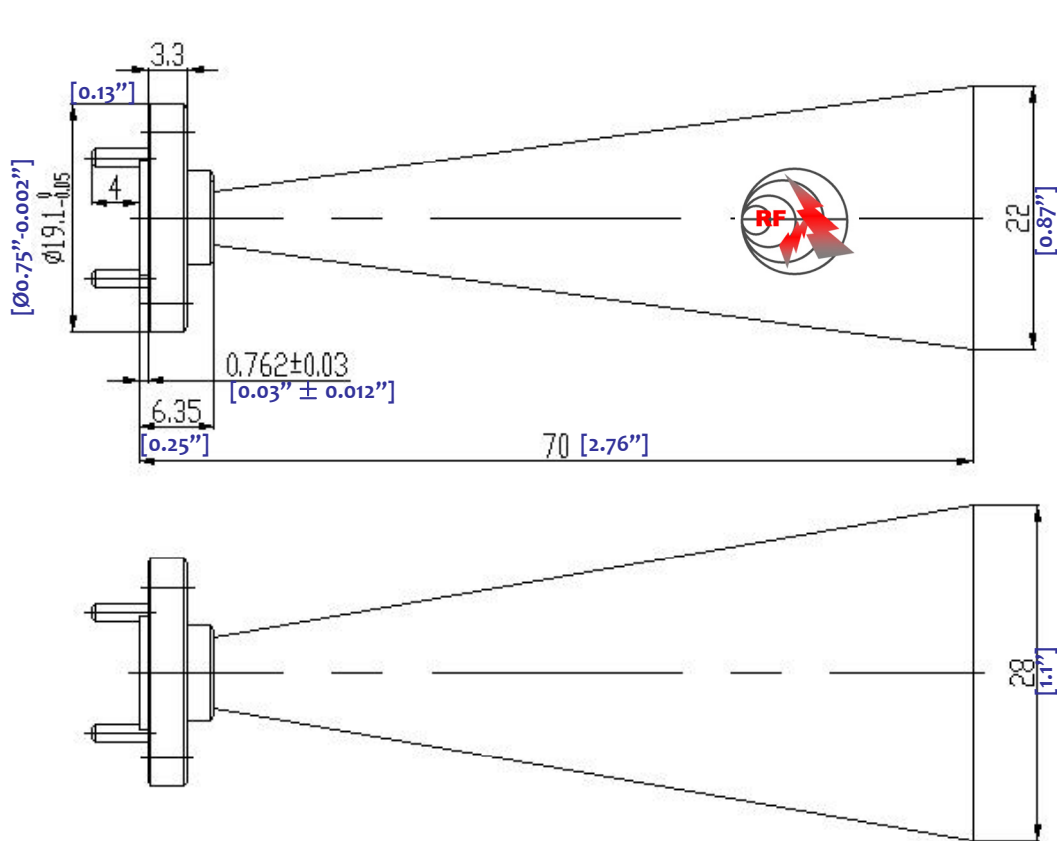



# WR10 WAVEGUIDE STANDARD GAIN HORN ANTENNA – RW10HORN24A



3.0 Electrical Specifications		
3.1	Frequency Range	75~110GHz
3.2	Gain	24.7dB
3.3	VSWR	1.5:1 (max)

1.0 Mechanical Specifications		
1.1	Waveguide type	Rectangular Waveguide <b>WR10</b>
1.2	Flange type	CPRF, COVER
1.3	Flange Holes	Through
1.4	Basis-material	Brass
1.5	Internal Body Finish	Silver Plated chromate or conversion
1.6	External Body Finish	Body painted with gray/black epoxy enamel

2.0 Environment specifications		
2.1	Operation Temp.	-40°C~+70°C
2.2	Storage Temp.	-50°C~+125°C
2.3	Altitude	45000 ft
2.4	Vibration	10g rms (15 degree 2KHz)
2.5	Humidity	100% RH at 35c, 95%RH at 40 deg c
2.6	Shock	20G for 11msc

PAGE 1 OF 1		DATE
		Jun 21 <sup>st</sup> 2006
<small>PROPRIETARY INFORMATION THE INFORMATION CONTAINED IN THIS DOCUMENT IS THE PROPERTY OF RF-LAMBDA EXCEPT AS SPECIFICALLY AUTHORIZED IN WRITINGS BY RF-LAMBDA. THE HOLDER OF THIS DOCUMENT SHALL KEEP ALL INFORMATION CONTAINED HEREIN CONFIDENTIAL AND SHALL PROTECT SAME IN THE WHOLE OR IN PART FROM DISCLOSURE AND DISSEMINATION OF ALL THIRD PARTIES AND SHALL USE SAME FOR OPERATING AND MAINTENANCE PURPOSES ONLY</small>		DESIGN
		RFPC
		RF-LAMBDA
		RFPC
		CAD MODEL REVISION
		11
		ASSEMBLY REVISION
		V55DS
		ASSEMBLY NAME
		RFLVR05
		DRAWING NUMBER
		D05-1
 <b>RW10HORN24A</b> <b>WAVEGUIDE HORN</b> <b>ANTENNA</b>		
<a href="http://www.rflambda.com">www.rflambda.com</a>		
<b>RF-LAMBDA</b>		
SIZE	SHEETS	
LT	1 OF 1	