



## SMA Female to SMA Female Right Angle Adapter

### TECHNICAL DATA SHEET

PE91150

#### Configuration

Connector 1	SMA Female
Impedance 1	50 Ohms
Connector 2	SMA Female
Impedance 2	50 Ohms
Adapter Design	Standard
Body Style	Right Angle

#### Electrical Specifications

Frequency Range, GHz	DC to 27
Maximum VSWR	1.35:1
Maximum Insertion Loss, dB	0.25

#### Mechanical Specifications

##### Connector 1

Type	SMA Female
Inner Conductor Material and Plating	Beryllium Copper, Gold
Inner Conductor Plating Specification	MIL-G-45204
Outer Conductor Material and Plating	Passivated Stainless Steel
Outer Conductor Plating Specification	ASTM A380
Body Material and Plating	Passivated Stainless Steel
Body Plating Specification	ASTM A380
Dielectric Type	PTFE

##### Connector 2

Type	SMA Female
Inner Conductor Material and Plating	Beryllium Copper, Gold
Inner Conductor Plating Specification	MIL-G-45204
Outer Conductor Material and Plating	Passivated Stainless Steel
Outer Conductor Plating Specification	ASTM A380
Body Material and Plating	Passivated Stainless Steel
Body Plating Specification	ASTM A380
Dielectric Type	PTFE

#### Compliance Certifications (visit [www.Pasternack.com](http://www.Pasternack.com) for current document)

RoHS Compliant	Yes
----------------	-----

Click the following link (or enter part number in "SEARCH" on website) to obtain additional part information including price, inventory and certifications: [SMA Female to SMA Female Right Angle Adapter PE91150](#)

The information contained in this document is accurate to the best of our knowledge and representative of the part described herein. It may be necessary to make modifications to the part and/or the documentation of the part, in order to implement improvements. Pasternack reserves the right to make such changes as required. Unless otherwise stated, all specifications are nominal.





## SMA Female to SMA Female Right Angle Adapter

### TECHNICAL DATA SHEET

PE91150

#### Plotted and Other Data

Notes:

Values at 25 °C, sea level

SMA Female to SMA Female Right Angle Adapter from Pasternack Enterprises has same day shipment for domestic and International orders. Our RF, microwave and fiber optic products maintain a 99% availability and are part of the broadest selection in the industry.

Click the following link (or enter part number in "SEARCH" on website) to obtain additional part information including price, inventory and certifications: [SMA Female to SMA Female Right Angle Adapter PE91150](#)

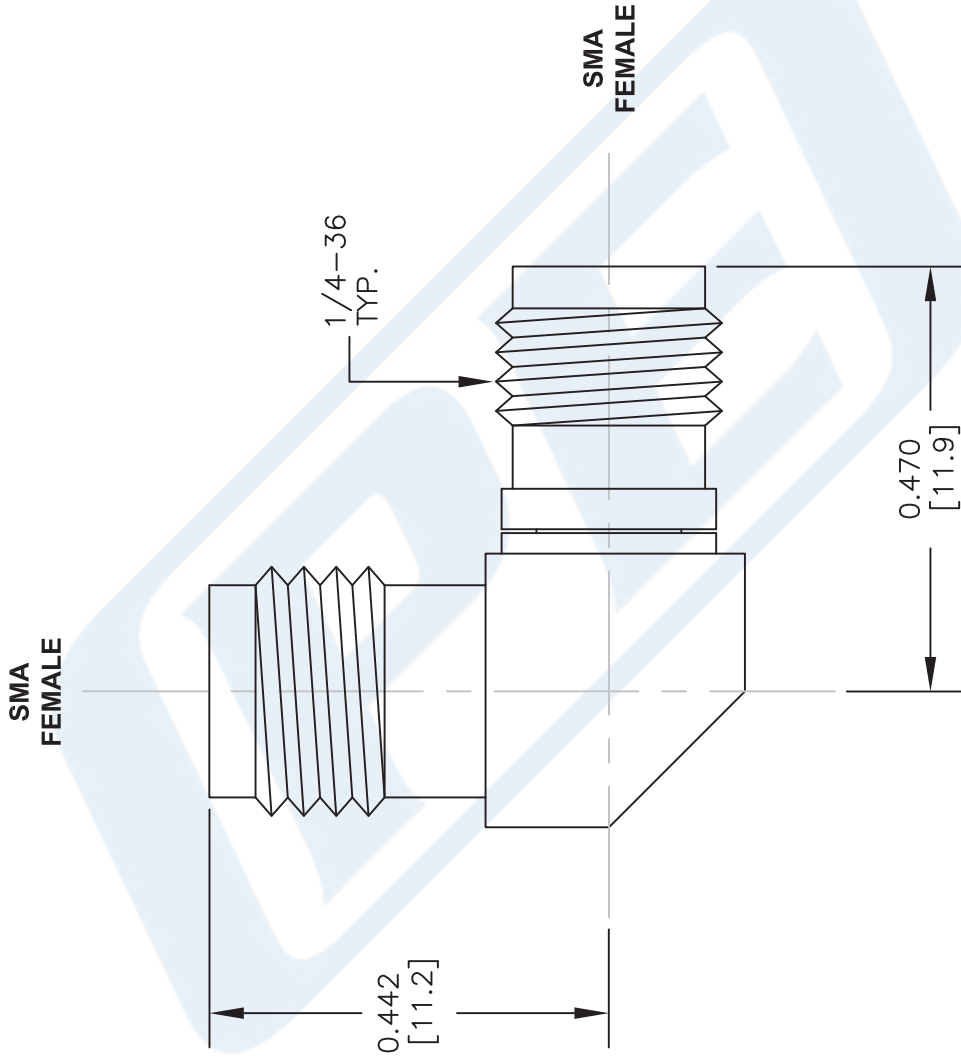
URL: <http://www.pasternack.com/sma-female-sma-female-right-angle-adapter-pe91150-p.aspx>

The information contained in this document is accurate to the best of our knowledge and representative of the part described herein. It may be necessary to make modifications to the part and/or the documentation of the part, in order to implement improvements. Pasternack reserves the right to make such changes as required. Unless otherwise stated, all specifications are nominal.



# PE91150 CAD Drawing

## SMA Female to SMA Female Right Angle Adapter



DWG TITLE

**PE91150**

NOTES:  
 1. UNLESS OTHERWISE SPECIFIED ALL DIMENSIONS ARE NOMINAL.  
 2. ALL SPECIFICATIONS ARE SUBJECT TO CHANGE WITHOUT NOTICE AT ANY TIME.  
 3. DIMENSIONS ARE IN INCHES [mm].

FSCM NO. 53919

CAD FILE 020614

SCALE N/A

SIZE A

150



Pasternack Enterprises, Inc.  
 P.O. Box 16759 | Irvine | CA | 92623  
**Phone:** (949) 261-1920 | **Fax:** (949) 261-7451  
**Website:** www.pasternack.com | **E-Mail:** sales@pasternack.com