



## Precision SMA Female to SMA Female 4 Hole Flange Adapter

### TECHNICAL DATA SHEET

PE9670

#### Precision SMA Female to SMA Female 4 Hole Flange Adapter

##### Configuration

Connector 1	SMA Female
Impedance 1	50 Ohms
Connector Specification 1	MIL-STD-348
Connector 2	SMA Female
Impedance 2	50 Ohms
Connector Specification 2	MIL-STD-348
Adapter Design	Precision
Body Style	Straight
Mount Method	4 Hole Flange

##### Electrical Specifications

Frequency Range, GHz	DC to 18
Maximum VSWR	1.25:1

##### Mechanical Specifications

###### Temperature

Operating Range, deg C	-65 to +125
------------------------	-------------

###### Size

Length, in [mm]	1 [25.4]
Width/Dia., in [mm]	0.5 [12.7]
Height, in [mm]	0.5 [12.7]

##### Connector 1

Type	SMA Female
Inner Conductor Material and Plating	Beryllium Copper, Gold
Body Material and Plating	Passivated Stainless Steel

##### Connector 2

Type	SMA Female
Inner Conductor Material and Plating	Beryllium Copper, Gold
Body Material and Plating	Passivated Stainless Steel

##### Compliance Certifications (visit [www.Pasternack.com](http://www.Pasternack.com) for current document)

RoHS Compliant	Yes
----------------	-----

##### Plotted and Other Data

Notes:	Values at 25 °C, sea level
--------	----------------------------

URL: <http://www.pasternack.com/sma-female-sma-female-straight-adapter-pe9670-p.aspx>

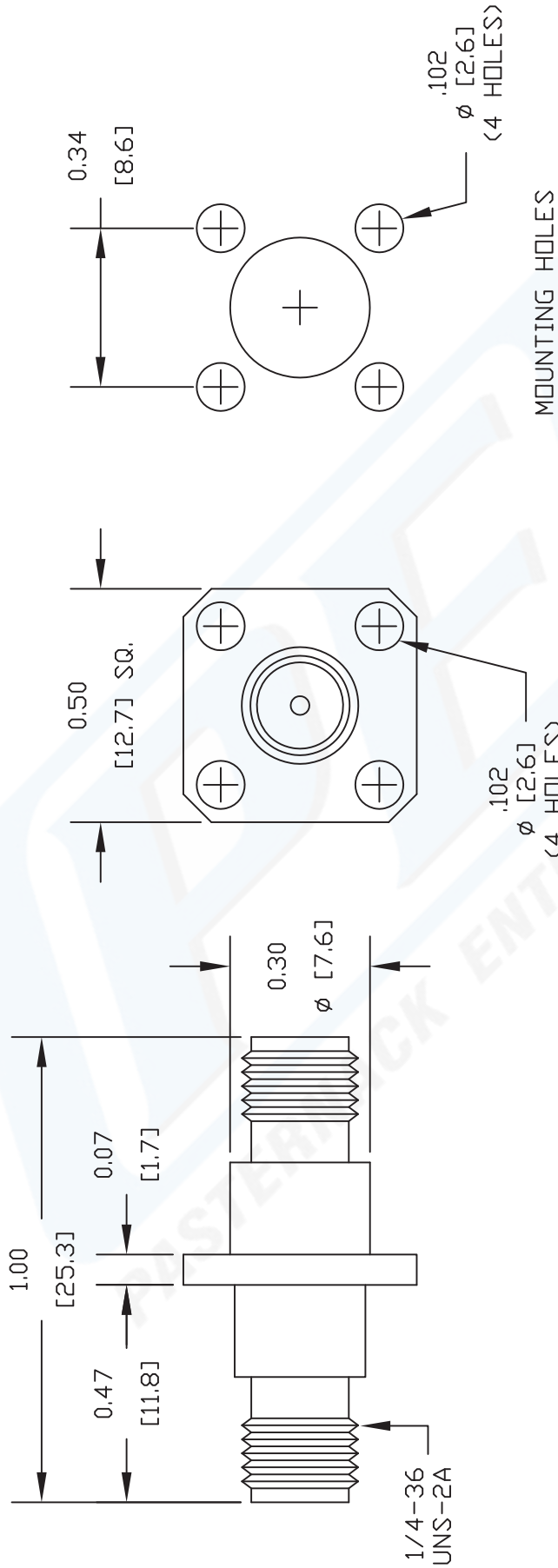
Precision SMA Female to SMA Female 4 Hole Flange Adapter from Pasternack Enterprises has same day shipment for domestic and International orders. Our RF, microwave and fiber optic products maintain a 99% availability and are part of the

The information contained in this document is accurate to the best of our knowledge and representative of the part described herein. It may be necessary to make modifications to the part and/or the documentation of the part, in order to implement improvements. Pasternack reserves the right to make such changes as required. Unless otherwise stated, all specifications are nominal.



# PE9670 CAD Drawing

Precision SMA Female to SMA Female 4 Hole Flange Adapter



DWG TITLE

**PE9670**

NOTES:  
1. UNLESS OTHERWISE SPECIFIED ALL DIMENSIONS ARE NOMINAL.  
2. ALL SPECIFICATIONS ARE SUBJECT TO CHANGE WITHOUT NOTICE AT ANY TIME.  
3. DIMENSIONS ARE IN INCHES [mm].

REV. A

FSCM NO. 53919

CAD FILE 082711

SCALE N/A

SIZE A

2231



**PASTERNAK®**  
Pasternack Enterprises, Inc.  
P.O. Box 16759 | Irvine | CA | 92623  
Phone: (949) 261-1920 | Fax: (949) 261-7451  
Website: www.pasternack.com | E-Mail: sales@pasternack.com