

700 to 1200MHz – Surface Mount Circulator

Design Features

- ◆ High RF performance, ultra-competitive price.
- ◆ Military, space and commercial applications.
- ◆ Custom design available upon request.
- ◆ Guaranteed for one year standard.

RF Characteristics

Model Number	Freq. Range (MHz)	Insertion Loss Max(dB)	Isolation Min(dB)	VSWR Max	Forward Power(W)	Reverse Power(W)	Connector Type	Temp.(°C)
UIYSC24A718T728	718 ~ 728	0.4	20	1.25	60	60	SMT	-30 ~ +70
UIYSC24A825T835	825 ~ 835	0.35	21	1.2	60	60	SMT	-30 ~ +70
UIYSC24A832T915	832 ~ 915	0.4	20	1.25	60	60	SMT	0 ~ +60
UIYSC24A860T894	860 ~ 894	0.35	21	1.2	60	60	SMT	-30 ~ +70
UIYSC24A860T960	860 ~ 960	0.4	20	1.25	60	60	SMT	-20 ~ +70
UIYSC24A902T928	902 ~ 928	0.35	21	1.2	60	60	SMT	-30 ~ +70
UIYSC24A925T960	925 ~ 960	0.35	21	1.2	60	60	SMT	-30 ~ +70
UIYSC24A925T960	925 ~ 960	0.35	21	1.2	60	60	SMT	-30 ~ +70

² List are specify frequency range and other ranges available.

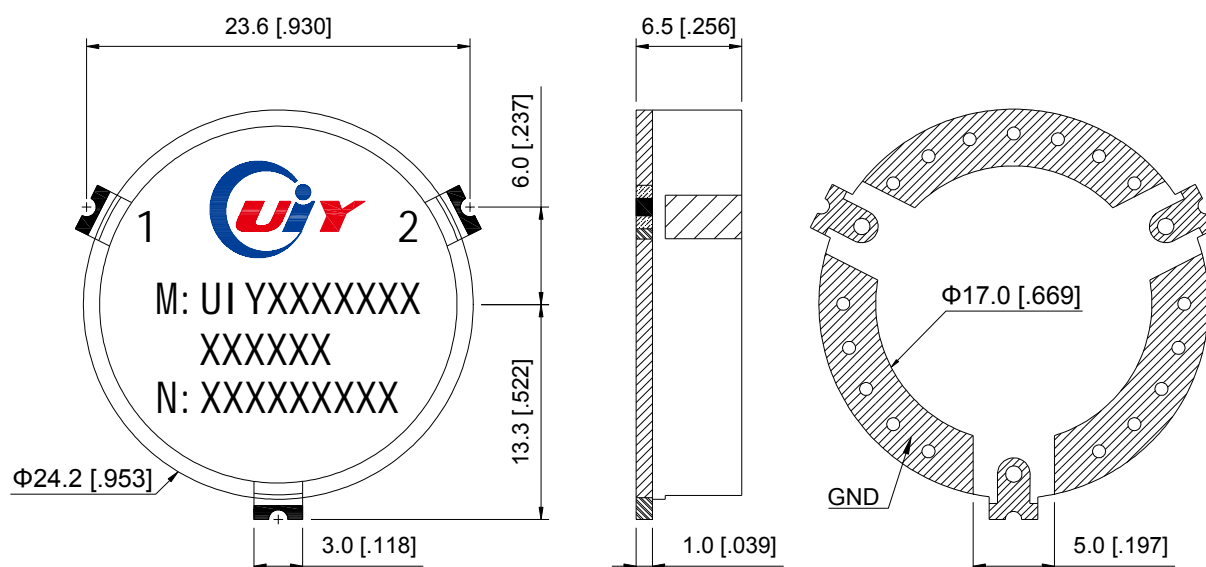
² Please enter below information when inquiry and mark * is must.

* 1. The specific frequency range

* 2. Power handling (Forward, Reverse, Peak, etc.)

3. Other special request if have (Insertion Loss, Isolation, VSWR, Temperature, Dimension, etc.)

Mechanical Drawing



Unit: mm/ inch, General part tolerance is ± 0.2 mm unless otherwise stated.

Ver. 5

A2-5G, Zhujiang Plaza, Longxiang Blvd, Longgang District, Shenzhen 518172, China.

Tel: +86-755-25999990 25999909 Fax: +86-755-25999959 E-mail: sales@uiy.com Web: www.uiy.com