



## Low PIM N Female to 7/16 DIN Male Adapter Low VSWR

### TECHNICAL DATA SHEET

PE91031

#### Low PIM N Female to 7/16 DIN Male Adapter Low VSWR

- PIM levels <-165 dBc
- Low VSWR levels up to 8GHz
- Tri-metal coating provides a durable surface with good corrosion protection abrasion resistance and superior electrical contact properties.
- Available in various connector combinations including 7/16 DIN in-series, Type N in-series, and 7/16 DIN to Type N and SMA between series
- 4-hole flange and bulkhead mount styles available
- Ideal choice for use in portable PIM testing applications

#### Configuration

Connector 1	N Female
Impedance 1	50 Ohms
Connector Specification 1	MIL-STD-348
Connector 2	7/16 DIN Male
Impedance 2	50 Ohms
Connector Specification 2	IEC 169-4 (0.232 dia. Enhancement)
Adapter Design	Low PIM
Body Style	Straight

#### Electrical Specifications

Frequency Range, GHz	DC to 8
Maximum VSWR	1.23:1
Group Delay, ps	225
Dielectric Withstanding Voltage, Vrms	1,000
Maximum Passive Intermodulation (2 x 20 Watts), dBc	-165

#### Frequency 1

Frequency, MHz	DC to 1,000
VSWR	1.04:1
Return Loss, dB	36

#### Frequency 2

Frequency, GHz	1 to 4
VSWR	1.12:1
Return Loss, dB	25

#### Frequency 3

Frequency, GHz	4 to 8
VSWR	1.23:1
Return Loss, dB	20

Click the following link (or enter part number in "SEARCH" on website) to obtain additional part information including price, inventory and certifications: [Low PIM N Female to 7/16 DIN Male Adapter Low VSWR PE91031](#)

The information contained in this document is accurate to the best of our knowledge and representative of the part described herein. It may be necessary to make modifications to the part and/or the documentation of the part, in order to implement improvements. Pasternack reserves the right to make such changes as required. Unless otherwise stated, all specifications are nominal.



Low PIM N Female to 7/16 DIN Male Adapter Low VSWR

TECHNICAL DATA SHEET

PE91031

**Mechanical Specifications**

**Temperature**

Operating Range, deg C -55 to +155

**Size**

Length, in [mm] 2.27 [57.66]  
Width/Dia., in [mm] 1.25 [31.75]  
Weight, lbs [g] 0.32 [145.15]

**Connector 1**

Type N Female  
Mating Cycles 500  
Inner Conductor Material and Plating Beryllium Copper, Silver  
Inner Conductor Plating Specification 200 [5]  $\mu$  in. [ $\mu$ m] minimum  
Body Material and Plating Brass, Tri-Metal  
Body Plating Specification 100 [2.54]  $\mu$  in. [ $\mu$ m] minimum  
Dielectric Type PTFE

**Connector 2**

Type 7/16 DIN Male  
Mating Cycles 500  
Inner Conductor Material and Plating Brass, Silver  
Inner Conductor Plating Specification 200 [5]  $\mu$  in. [ $\mu$ m] minimum  
Coupling Nut Material and Plating Brass, Tri-Metal  
Coupling Nut Plating Specification 100 [2.54]  $\mu$  in. [ $\mu$ m] minimum  
Hex Size, mm 32  
Torque, ft-lbs [Nm] 18.417 [24.97]  
Body Material and Plating Brass, Tri-Metal  
Body Plating Specification 100 [2.54]  $\mu$  in. [ $\mu$ m] minimum  
Dielectric Type PTFE

**Compliance Certifications** (visit [www.Pasternack.com](http://www.Pasternack.com) for current document)

RoHS Compliant Yes

Click the following link (or enter part number in "SEARCH" on website) to obtain additional part information including price, inventory and certifications: [Low PIM N Female to 7/16 DIN Male Adapter Low VSWR PE91031](#)

The information contained in this document is accurate to the best of our knowledge and representative of the part described herein. It may be necessary to make modifications to the part and/or the documentation of the part, in order to implement improvements. Pasternack reserves the right to make such changes as required. Unless otherwise stated, all specifications are nominal.





## Low PIM N Female to 7/16 DIN Male Adapter Low VSWR

### TECHNICAL DATA SHEET

PE91031

#### Plotted and Other Data

Notes:

Values at 25 °C, sea level

Low PIM N Female to 7/16 DIN Male Adapter Low VSWR from Pasternack Enterprises has same day shipment for domestic and International orders. Our RF, microwave and fiber optic products maintain a 99% availability and are part of the broadest selection in the industry.

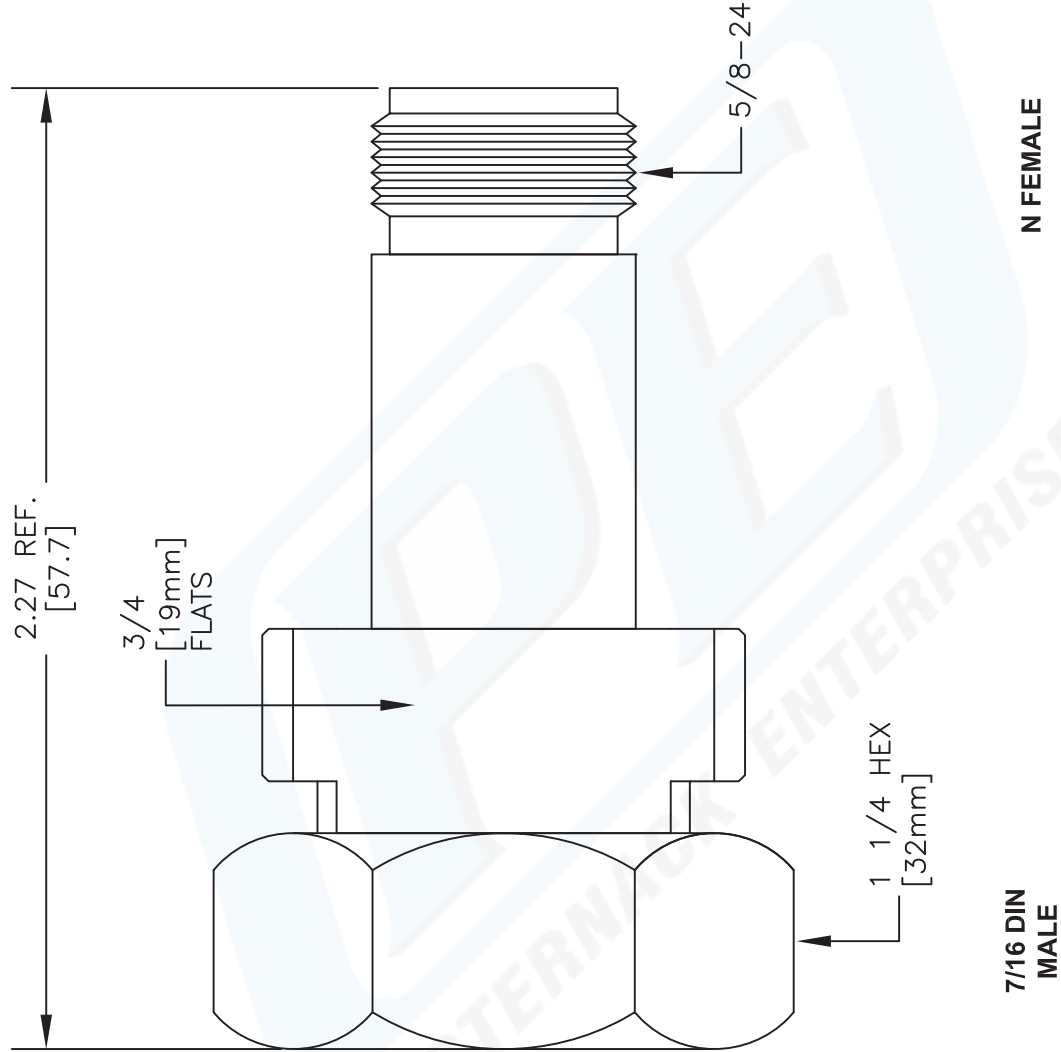
Click the following link (or enter part number in "SEARCH" on website) to obtain additional part information including price, inventory and certifications: [Low PIM N Female to 7/16 DIN Male Adapter Low VSWR PE91031](http://www.pasternack.com/n-female-7-16-male-straight-adapter-pe91031-p.aspx)

URL: <http://www.pasternack.com/n-female-7-16-male-straight-adapter-pe91031-p.aspx>

The information contained in this document is accurate to the best of our knowledge and representative of the part described herein. It may be necessary to make modifications to the part and/or the documentation of the part, in order to implement improvements. Pasternack reserves the right to make such changes as required. Unless otherwise stated, all specifications are nominal.

# PE91031 CAD Drawing

Low PIM N Female to 7/16 DIN Male Adapter Low VSWR



#### NOTES:

1. UNLESS OTHERWISE SPECIFIED ALL DIMENSIONS ARE NOMINAL.
2. ALL SPECIFICATIONS ARE SUBJECT TO CHANGE WITHOUT NOTICE AT ANY TIME.
3. DIMENSIONS ARE IN INCHES [mm].

DWG TITLE

**PE91031**

FSCM NO. 53919

2233

SIZE A

SCALE N/A

CAD FILE 031113-B



Pasternack Enterprises, Inc.  
P.O. Box 16759 | Irvine | CA | 92623  
Phone: (949) 261-1920 | Fax: (949) 261-7451  
Website: [www.pasternack.com](http://www.pasternack.com) | E-Mail: [sales@pasternack.com](mailto:sales@pasternack.com)