

DC BLOCKS SMA

10 MHz - 18 GHz 200 VOLTS



MODELS: 8037, 8038, 8039, 8040, 8041, 8042, 8043, 8044, 8045

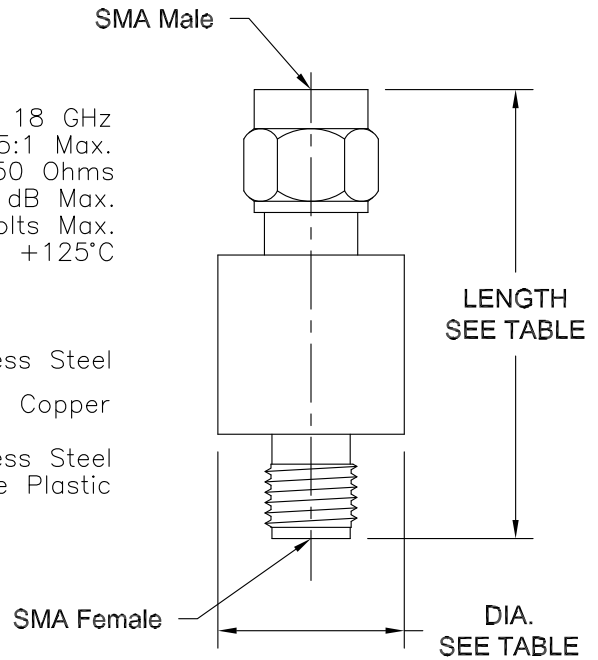
SPECIFICATIONS:

Electrical:

Frequency Range _____ 10 MHz – 18 GHz
 VSWR _____ 1.35:1 Max.
 Impedance _____ 50 Ohms
 Insertion Loss _____ 0.5 dB Max.
 Voltage Rating _____ 200 Volts Max.
 Operating Temp. Range _____ -65°C to +125°C

Mechanical:

SMA Connectors _____ Passivated Stainless Steel
Mates with MIL-STD-348
 Conductors _____ Gold Plated Beryllium Copper
 Housings:
 Inner Only Blocks _____ Passivated Stainless Steel
 Outer and Inner/Outer Blocks _____ High Temperature Plastic



Model Shown **8038**

TABLE					
MODEL NUMBER	BLOCK TYPE	CONN. CONFIG.	WEIGHT GRAMS MAX.	DIAMETER	LENGTH
8037	INNER ONLY	MALE/FEMALE	9.0	ø.36 [9.1]	1.20 ±.03 [30.5 ±0.8]
8038	OUTER ONLY		8.2	ø.50 [12.7]	
8039	INNER-OUTER				
8040	INNER ONLY	FEMALE/FEMALE	7.3	ø.36 [9.1]	1.07 ±.03 [27.2 ±0.8]
8041	OUTER ONLY		6.4	ø.50 [12.7]	
8042	INNER-OUTER				
8043	INNER ONLY	MALE/MALE	10.7	ø.36 [9.1]	1.33 ±.03 [33.8 ±0.8]
8044	OUTER ONLY		9.9	ø.50 [12.7]	
8045	INNER-OUTER				

Note: Dimensions in Brackets are Expressed in Millimeters and are for Reference Only.
 Design specifications are subject to change without notice.
 Contact factory for technical specifications before purchasing or use.