

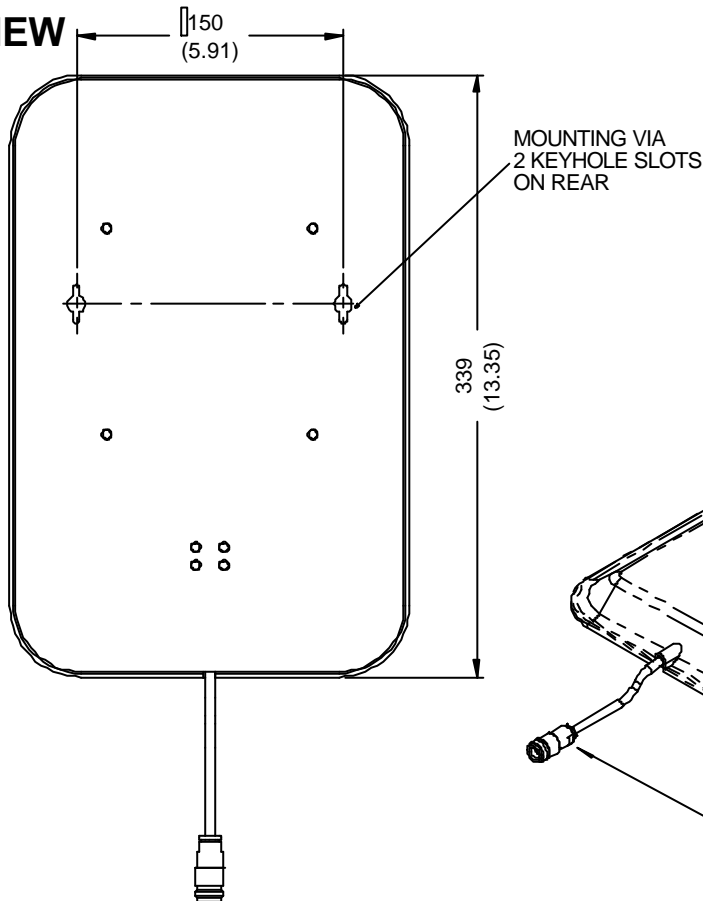


FLAT PANEL ANTENNA

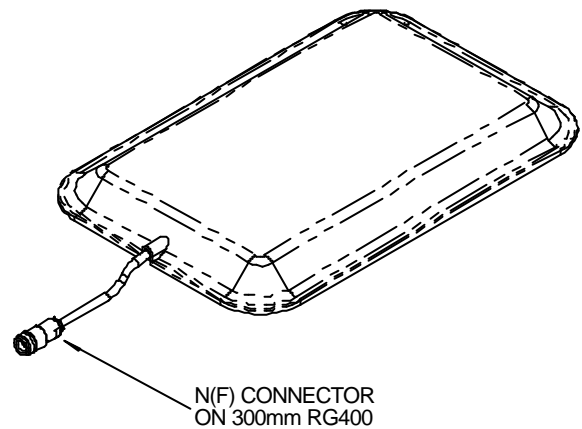
MODEL: FPA13-18V/583

FREQUENCY:	1.71 - 1.88 GHz	GAIN:	13 dBi Typ
POLARISATION:	Linear (Vertical)	BEAMWIDTH:	40° (Az) x 35° (El)
CROSS POLAR:	20 dB Typ	VSWR:	1.5:1 Worst Case
POWER RATING:	50 W	FRONT TO BACK:	30 dB Min
TEMPERATURE:	-20° to +50°C	MASS:	740g / 1.63 lbs
FINISH:	White ABS & Alocrom 1200	WIND LOADING:	12.4 Kg / 27.3 lbs @ 100 mph

REAR VIEW



INDOOR USE ONLY



ISOMETRIC VIEW

BASE VIEW

DIMENSIONS: mm (inches)
GA:0583-4 Issued:080302

EUROPEAN ANTENNAS LTD.

Tel: +44 (0)1638 731888
Fax: +44 (0)1638 731999

LAMBDA HOUSE, CHEVELEY
NEWMARKET, SUFFOLK, CB8 9RG,
UNITED KINGDOM

E-Mail: sales@european-antennas.co.uk
Website: www.european-antennas.co.uk

European Antennas Ltd. has a policy of continuous development and therefore stress that the data contained on this sheet should be used for guidance only.