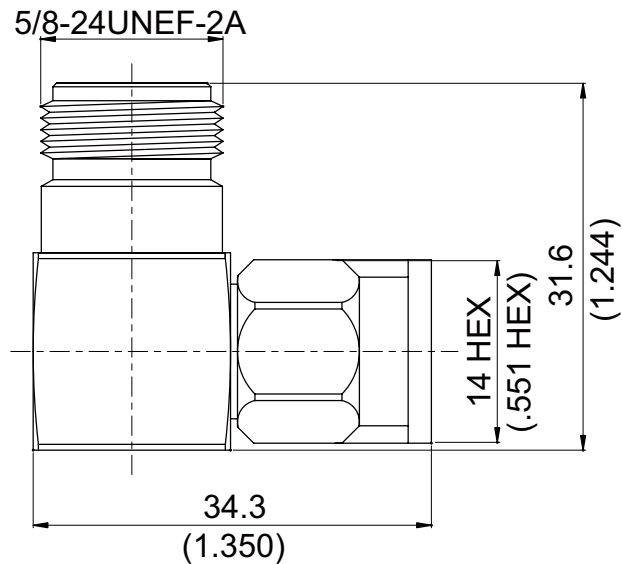


ALS-N8T3

Stainless N Jack To TNC Plug Right Angle 50Ω



Typical VSWR

Part Number	1Ghz	2~3Ghz	4Ghz	5~9 Ghz	10~11 Ghz	12Ghz
ALS-N8T3	1.03	1.05	1.13	1.15	1.20	1.31

Parts	Material	Plating (Micro-inch)
Cover	Stainless Steel	Passivated
Nut	Brass	Tin-Zinc-Copper-Alloy 100 Over Copper 50
Contact Pin	Beryllium Copper	Gold 20 Over Nickel 50 Over Copper 50
Body	Stainless Steel	Passivated
Insulator	Teflon	
Coupling Nut	Stainless Steel	Passivated
Retainer Ring	Beryllium Copper	Nickel 291.56 To 492.5 Over Copper 19.7 To 39.4
Gasket	Silicon	

Weight: 62.15 g

This part number complies with RoHS.

Notice: JYBAO reserves the right to make modifications deemed appropriate.