



2 dB Fixed Attenuator, SMA Male To SMA Female Stainless Steel
Body Rated To 2 Watts Up To 26 GHz

PE7087-2

26 GHz SMA Attenuator

The Pasternack PE7087 attenuator series utilizes high performance SMA connectors to increase attenuator performance to 26 GHz. This high frequency attenuator family has a stainless steel round body construction with an anti-torque nut to improve installation and removal in a system. The high performance 26 GHz attenuator line is available in 1 dB steps from 0 dB to 10 dB for accurate system power leveling. 12 dB, 15 dB, 20 dB and 30 dB attenuators are available for millimeter wave applications.

Configuration

Connector 1	SMA Male
Connector 2	SMA Female
Frequency Range (GHz)	DC to 26
Body Material and Plating	Stainless Steel, Passivated
Design	Fixed

Electrical Specifications

Frequency Range (GHz)	DC to 26
Impedance (Ohms)	50
Power, Max Input (Watts)	2
Standard Attenuation Values (dB)	2
VSWR Max Input	1.35:1

Frequency 1

Range (GHz)	DC to 6
Attenuation Accuracy (GHz)	0.5
VSWR	1.15:1

Frequency 2

Range (GHz)	6 to 18
Attenuation Accuracy (±dB)	0.5
VSWR	1.25:1

Frequency 3

Range (GHz)	18 to 26
Attenuation Accuracy (±dB)	0.5
VSWR	1.35:1

Click the following link for the additional product information:

[2 dB Fixed Attenuator, SMA Male To SMA Female Stainless Steel Body Rated To 2 Watts Up To 26 GHz PE7087-2](#)

Version C - Revision - © 2011 Pasternack Enterprises All Rights Reserved.





2 dB Fixed Attenuator, SMA Male To SMA Female Stainless Steel
Body Rated To 2 Watts Up To 26 GHz

PE7087-2

Mechanical Specifications

Temperature Operating Range (deg C)	-65 to +125
Body Material and Plating	Stainless Steel, Passivated

Connector 1

Type	SMA
Gender	Male
Body Material and Plating	Stainless Steel, Passivated
Inner Conductor Material and Plating	BeCu, Gold
Outer Conductor Material and Plating	Stainless Steel, Passivated
Coupling Nut Material and Plating	Stainless Steel, Passivated

Connector 2

Type	SMA
Gender	Female
Body Material and Plating	Stainless Steel, Passivated
Inner Conductor Material and Plating	BeCu, Gold
Outer Conductor Material and Plating	Stainless Steel, Passivated
Coupling Nut Material and Plating	Stainless Steel, Passivated

Compliance Certifications (visit www.Pasternack.com for current document)

RoHS Compliant	Yes, by exemption
----------------	-------------------

Other Data

URL: <http://www.pasternack.com/2db-fixed-sma-male-sma-female-2-watts-attenuator-pe7087-2-p.aspx>

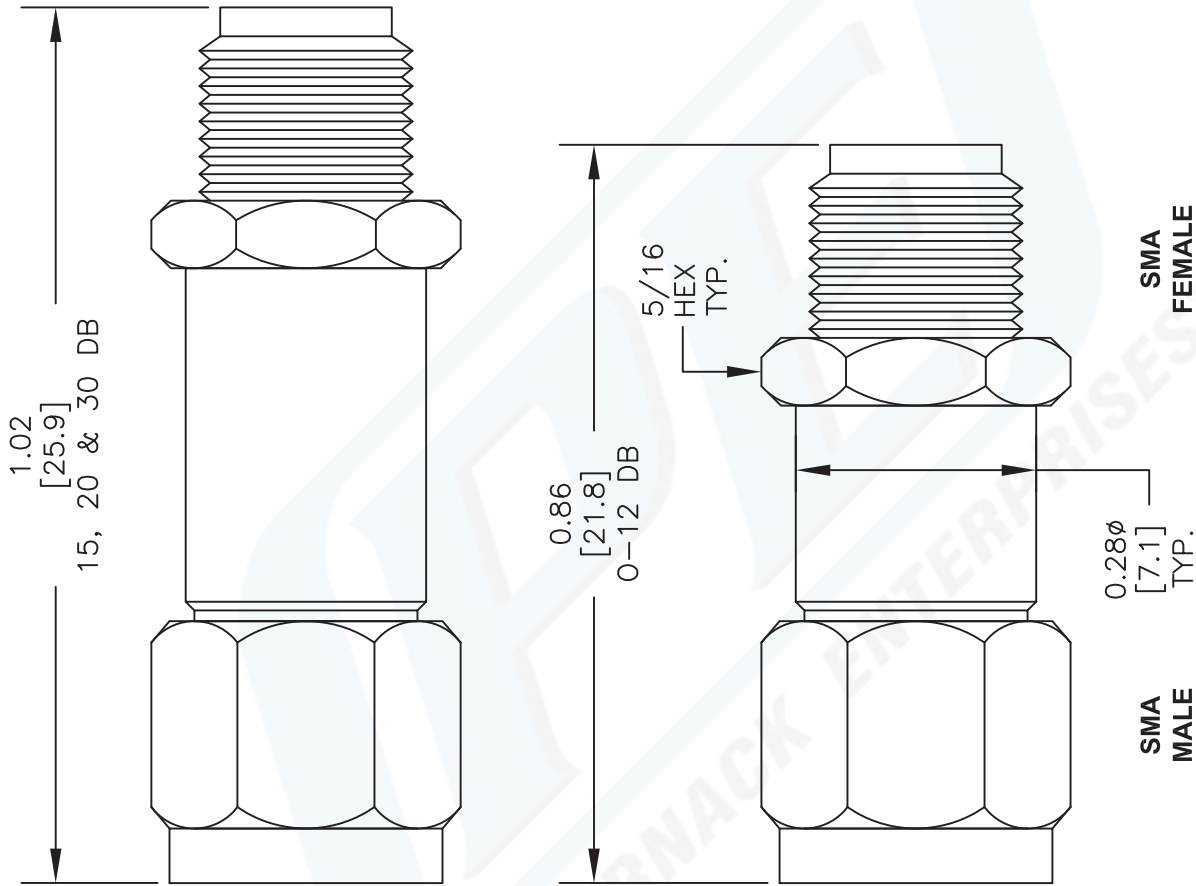
2 dB Fixed Attenuator, SMA Male To SMA Female Stainless Steel Body Rated To 2 Watts Up To 26 GHz from Pasternack Enterprises has same day shipment for domestic and International orders. Our RF, microwave and fiber optic products maintain a 99% availability and are part of the broadest selection in the industry.

Version C - Revision - © 2011 Pasternack Enterprises All Rights Reserved.



PE7087-2 CAD Drawing

2 dB Fixed Attenuator, SMA Male To SMA Female Stainless Steel Body Rated To 2 Watts
Up To 26 GHz



DWG TITLE

PE7087

- NOTES:
1. UNLESS OTHERWISE SPECIFIED ALL DIMENSIONS ARE NOMINAL.
 2. ALL SPECIFICATIONS ARE SUBJECT TO CHANGE WITHOUT NOTICE AT ANY TIME.
 3. DIMENSIONS ARE IN INCHES [mm].

PASTERNAK ENTERPRISES, INC.

P.O. BOX 16759, IRVINE, CA 92623
PHONE (949) 261-1920 FAX (949) 261-7451

WEB ADDRESS: www.pasternack.com
E-MAIL ADDRESS: sales@pasternack.com

COAXIAL & FIBER OPTICS



ESTABLISHED 1972

FSCM NO. 53919

CAD FILE 061512

SCALE N/A

SIZE A

2233