



TNC Female to Reverse Polarity TNC Male Adapter

TECHNICAL DATA SHEET

PE9531

**TNC Female to Reverse Polarity TNC Male Adapter**

**Configuration**

Connector 1	TNC Female
Connector Specification 1	MIL-STD-348
Connector 2	TNC Male
Connector Specification 2	MIL-STD-348
Adapter Design	Standard
Body Style	Straight

**Electrical Specifications**

Impedance, Ohms	50
-----------------	----

**Mechanical Specifications**

**Size**

Length, in [mm]	1.22 [30.99]
Width/Dia., in [mm]	0.6 [15.24]
Dielectric Type	PTFE

**Connector 1**

Type	TNC Female
Inner Conductor Material and Plating	Gold
Body Material and Plating	Brass, Nickel

**Connector 2**

Type	TNC Male
Inner Conductor Material and Plating	Gold
Body Material and Plating	Brass, Nickel

**Compliance Certifications** (visit [www.Pasternack.com](http://www.Pasternack.com) for current document)

RoHS Compliant	Yes
----------------	-----

**Plotted and Other Data**

Notes:	Values at 25 °C, sea level
--------	----------------------------

URL: <http://www.pasternack.com/tnc-female-tnc-male-straight-adapter-pe9531-p.aspx>

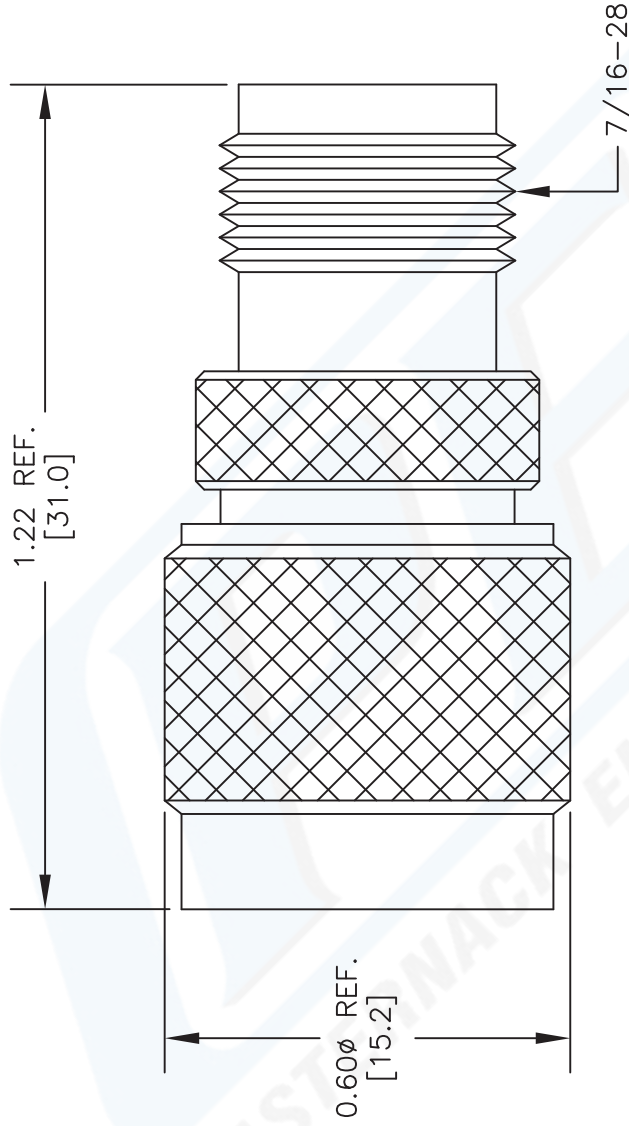
TNC Female to Reverse Polarity TNC Male Adapter from Pasternack Enterprises has same day shipment for domestic and International orders. Our RF, microwave and fiber optic products maintain a 99% availability and are part of the broadest selection in the industry.

The information contained in this document is accurate to the best of our knowledge and representative of the part described herein. It may be necessary to make modifications to the part and/or the documentation of the part, in order to implement improvements. Pasternack reserves the right to make such changes as required. Unless otherwise stated, all specifications are nominal.



# PE9531 CAD Drawing

TNC Female to Reverse Polarity TNC Male Adapter



DWG TITLE

**PE9531**

NOTES:  
1. UNLESS OTHERWISE SPECIFIED ALL DIMENSIONS ARE NOMINAL.  
2. ALL SPECIFICATIONS ARE SUBJECT TO CHANGE WITHOUT NOTICE AT ANY TIME.  
3. DIMENSIONS ARE IN INCHES [mm].

REV. A

FSCM NO. 53919

CAD FILE 062612

SCALE N/A

SIZE A

2233

**PE PASTERNAK®**

Pasternack Enterprises, Inc.  
P.O. Box 16759 | Irvine | CA | 92623  
Phone: (949) 261-1920 | Fax: (949) 261-7451  
Website: [www.pasternack.com](http://www.pasternack.com) | E-Mail: [sales@pasternack.com](mailto:sales@pasternack.com)