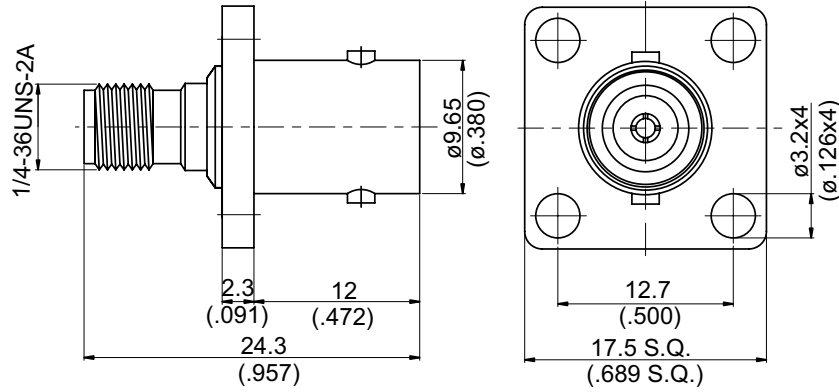
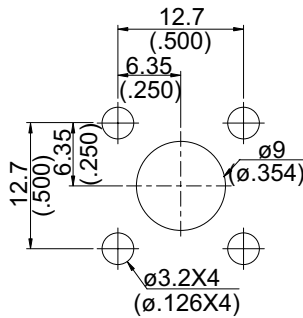


AD-A8B8-P4

SMA Jack To BNC Jack For Panel Receptacle 50Ω



MOUNTING HOLE:



Typical VSWR

Part Number	1 Ghz	2 Ghz	3 Ghz	4 Ghz
AD-A8B8-P4	1.09	1.11	1.16	1.21

Parts	Material	Plating (Micro-inch)
Center Pin	Beryllium Copper	Gold 10 Over Nickel 50 Over Copper 50
Insulator	Teflon	
Body(SMA)	Brass	Gold 5 Over Nickel 50 Over Copper 50
Body(BNC)	Brass	Tin-Zinc-Copper-Alloy 100 Over Copper 50

Weight: 9.21 g

This part number complies with RoHS.

Notice: JYEBAO reserves the right to make modifications deemed appropriate.