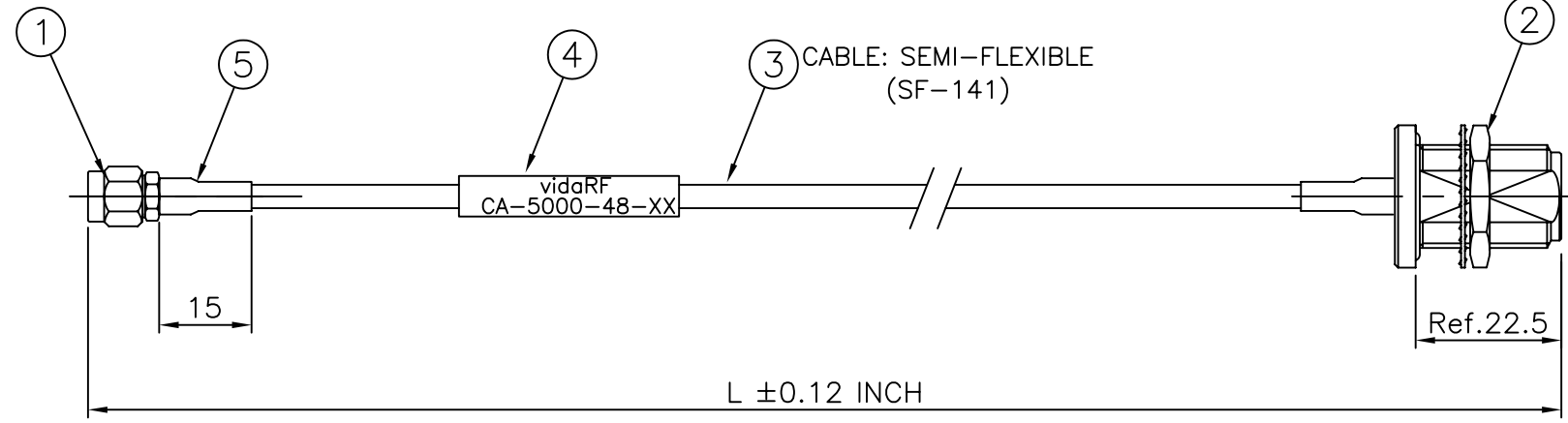


No.	Revision	Date	Sign
△			
△			

SMA ST PLUG  
(Anti-torque)  
Coupling/sus+passivated  
Body/Brass+Gold

N B/H JACK  
with SEAL



P/N	L (inch)	P/N	L (inch)	P/N	L (inch)
-02	2	-14	14	-26	26
-03	3	-15	15	-27	27
-04	4	-16	16	-28	28
-05	5	-17	17	-29	29
-06	6	-18	18	-30	30
-07	7	-19	19	-31	31
-08	8	-20	20	-32	32
-09	9	-21	21	-33	33
-10	10	-22	22	-34	34
-11	11	-23	23	-35	35
-12	12	-24	24	-36	36
-13	13	-25	25		



5	Bonding tube	1		GSHS-3635W	Black-15mm
4	Marking tube	1		GSHS-1625	
3	COAX CABLE	1		SF-141	
2	CONNECTOR(N-BJ)	1		1N-402-00	Nickel Plated
1	CONNECTOR(SMA-SP)	1		1S-102-AT01	
NO.	DESCRIPTION	Q'TY		PART NO.	REMARKS.
PARTS No. CA-5000-48-XX		NAME SEMI-FLEX 0.141" CABLE		APPROVED S.K	
		TOLERANCES OTHERWISE SPEC. ±2mm ANGLES ±1°		CHECKED	
SCALE		UNIT mm	DESIGNED T.P		
DWG NO. CA-5000-48-XX		DATE. 9/5/10			

CUSTOMER

Tel: 877-777-8432  
www.vidaRF.com