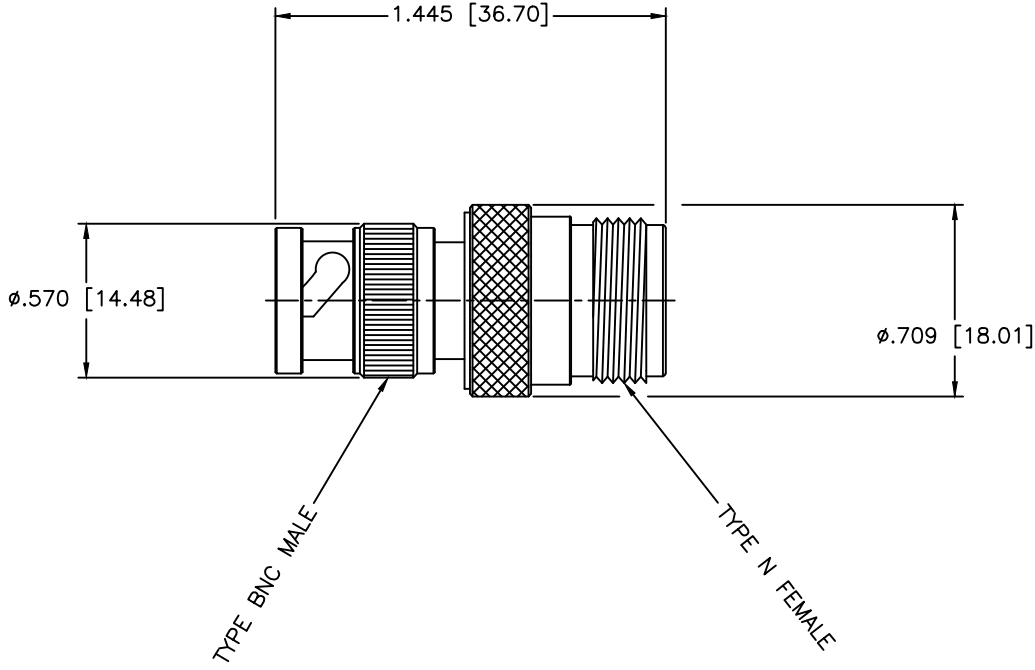


REVISIONS				
ZONE	REV	DESCRIPTION	Date	APPROVED



MATERIAL:			MICROWAVE COMMUNICATIONS LABORATORIES INC. 7255 30TH AVE. N. SAINT PETERSBURG, FL 33710 TEL: (727) 344-6254 FAX: (727) 381-6116 http://WWW.MCLI.COM		SCALE:	N/A
BRASS/NICKEL			UNLESS OTHERWISE SPECIFIED: TOLERANCES IN (INCHES) OR [mm] (MILLIMETERS) FRACTIONS: ± 1/64 DECIMALS: ±.02 ±.015 ANGLE: ±1/2°	DRAWING TITLE: ADAPTER, TYPE BNC MALE TO TYPE N FEMALE		SHEET:
DRAWN:	DATE:	<small>PROPRIETARY NOTICE: THE INFORMATION IN THIS DRAWING IS PROPRIETARY AND SHALL NOT BE USED OR DISCLOSED WITHOUT WRITTEN PERMISSION FROM MICROWAVE COMMUNICATIONS LABORATORIES INC. (MCLI)</small> 	PART NO. ADC-04-MF			
APPROVED:	DATE:		CAGE CODE:	SIZE:	REV:	DWG NO.
Paiboon Luekhamhan	02-12-2010	OD2L5	N/A	N/A	84697	
T. Nguyen	02-12-2010	DO NOT SCALE THE DRAWING				