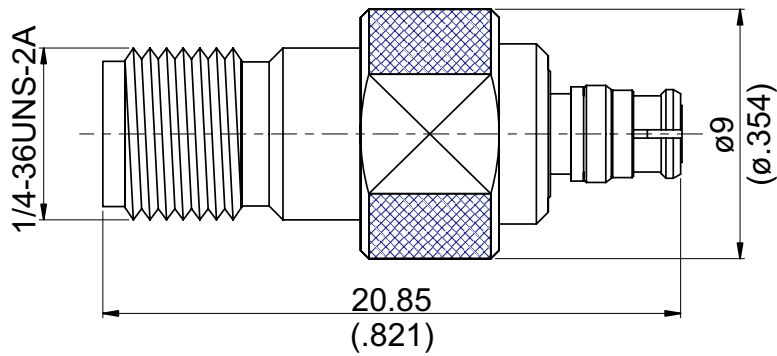


ADS-A8P8

Stainless SMA JACK To SMP Jack 50Ω



Typical VSWR

| Part Number | 1~2Ghz | 3Ghz | 4Ghz | 5Ghz | 6~9Ghz | 10~16Ghz | 17~18Ghz |
|-------------|--------|------|------|------|--------|----------|----------|
| ADS-A8P8    | 1.02   | 1.04 | 1.06 | 1.05 | 1.11   | 1.14     | 1.20     |

| Parts       | Material         | Plating (Micro-inch)                  |
|-------------|------------------|---------------------------------------|
| Renber Ring | Beryllium Copper | Gold 5 Over Nickel 50 over Copper 50  |
| Insulator   | Teflon           |                                       |
| Contact Pin | Beryllium Copper | Gold 20 Over Nickel 50 over Copper 50 |
| Body(SMP)   | Beryllium Copper | Gold 5 Over Nickel 50 over Copper 50  |
| Body(SMA)   | Stainless Steel  | Passivated                            |

Weight: 3.77 g

This part number complies with RoHS.

Notice: JYEBAO reserves the right to make modifications deemed appropriate.