



LC Male to HN Female Adapter

TECHNICAL DATA SHEET

PE9181

Configuration

Connector 1	LC Male
Impedance 1	50 Ohms
Connector 2	HN Female
Impedance 2	50 Ohms
Adapter Design	Standard
Body Style	Straight

Mechanical Specifications

Size

Length, in [mm]	2.825 [71.76]
Width/Dia., in [mm]	1.5 [38.1]

Connector 1

Type	LC Male
Inner Conductor Material and Plating	Silver
Coupling Nut Material and Plating	Brass, Nickel
Hex Size, in.	1 1/2
Torque, in-lbs [Nm]	21 [2.37]
Body Material and Plating	Brass, Nickel
Dielectric Type	PTFE

Connector 2

Type	HN Female
Inner Conductor Material and Plating	Silver
Body Material and Plating	Brass, Nickel
Dielectric Type	PTFE

Compliance Certifications (visit www.Pasternack.com for current document)

RoHS Compliant	
REACH Compliant	06/18/2012

Click the following link (or enter part number in "SEARCH" on website) to obtain additional part information including price, inventory and certifications: [LC Male to HN Female Adapter PE9181](#)



LC Male to HN Female Adapter

TECHNICAL DATA SHEET

PE9181

Plotted and Other Data

Notes:

- Values at +25 °C, sea level

LC Male to HN Female Adapter from Pasternack Enterprises has same day shipment for domestic and International orders. Our RF, microwave and millimeter wave products maintain a 99% availability and are part of the broadest selection in the industry.

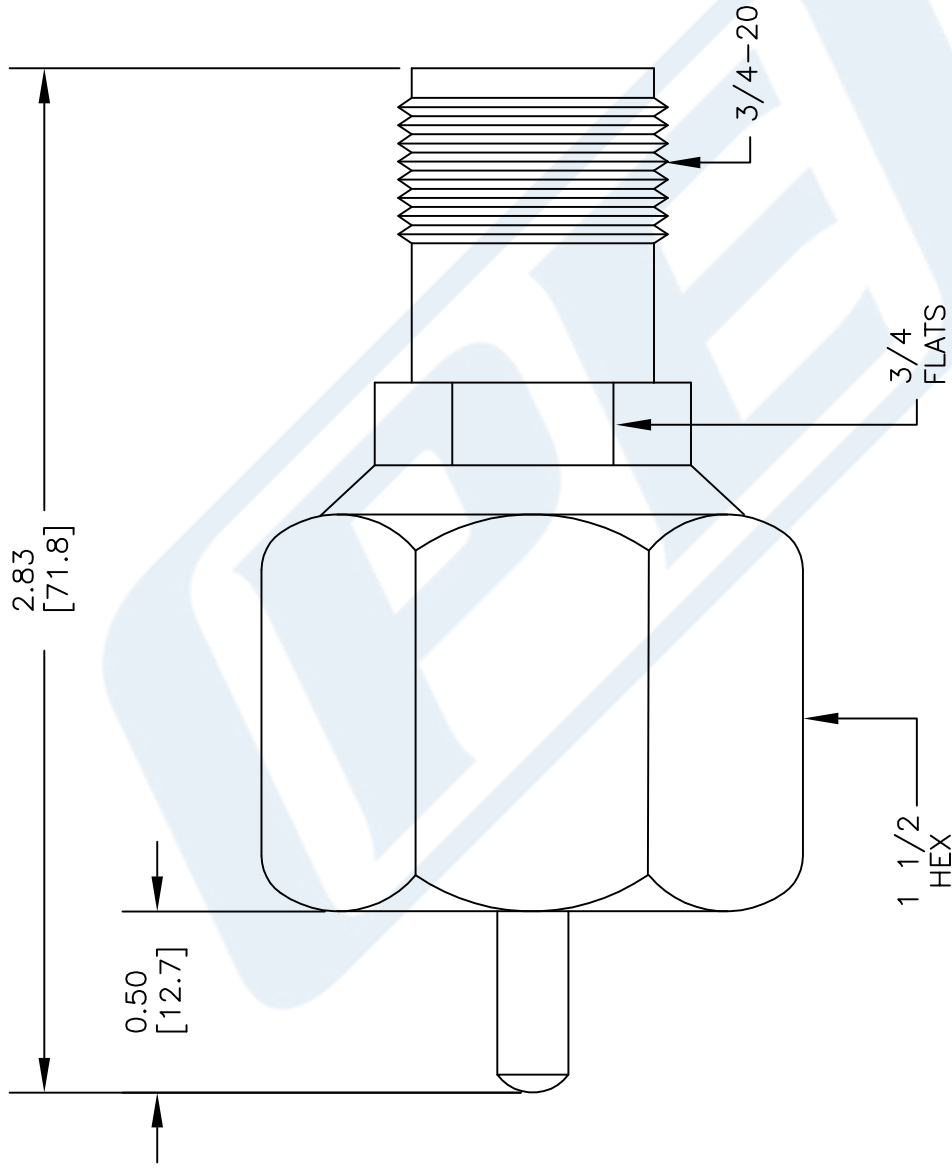
Click the following link (or enter part number in "SEARCH" on website) to obtain additional part information including price, inventory and certifications: [LC Male to HN Female Adapter PE9181](#)

URL: <http://www.pasternack.com/lc-male-hn-female-straight-adapter-pe9181-p.aspx>

The information contained in this document is accurate to the best of our knowledge and representative of the part described herein. It may be necessary to make modifications to the part and/or the documentation of the part, in order to implement improvements. Pasternack reserves the right to make such changes as required. Unless otherwise stated, all specifications are nominal. Pasternack does not make any representation or warranty regarding the suitability of the part described herein for any particular purpose, and Pasternack does not assume any liability arising out of the use of any part or documentation.

PE9181 CAD Drawing

LC Male to HN Female Adapter



NOTES:
 1. UNLESS OTHERWISE SPECIFIED ALL DIMENSIONS ARE NOMINAL.
 2. ALL SPECIFICATIONS ARE SUBJECT TO CHANGE WITHOUT NOTICE AT ANY TIME.
 3. DIMENSIONS ARE IN INCHES [mm].

DWG TITLE
PE9181

FSCM NO. 53919

150

SIZE A

SCALE N/A

CAD FILE 030414

PE PASTERNAK®
 THE ENGINEER'S RF SOURCE
 Pasternack Enterprises, Inc.
 P.O. Box 16759 | Irvine | CA | 92623
 Phone: (949) 261-1920 | Fax: (949) 261-7451
 Website: www.pasternack.com | E-Mail: sales@pasternack.com