



TECHNICAL DATA SHEET

PE9538

N Male to C Male Adapter

Configuration

| | |
|----------------|----------|
| Connector 1 | N Male |
| Impedance 1 | 50 Ohms |
| Connector 2 | C Male |
| Impedance 2 | 50 Ohms |
| Adapter Design | Standard |
| Body Style | Straight |

Mechanical Specifications

Temperature

| | |
|------------------------|-------------|
| Operating Range, deg C | -65 to +165 |
|------------------------|-------------|

Size

| | |
|---------------------|---------------|
| Length, in [mm] | 1.705 [43.31] |
| Width/Dia., in [mm] | 0.8 [20.32] |

Connector 1

| | |
|---------------------------------------|---------------|
| Type | N Male |
| Inner Conductor Material and Plating | Gold |
| Inner Conductor Plating Specification | MIL-G-45204 |
| Coupling Nut Material and Plating | Brass, Nickel |
| Body Material and Plating | Brass, Nickel |
| Dielectric Type | Teflon |

Connector 2

| | |
|---------------------------------------|---------------|
| Type | C Male |
| Inner Conductor Material and Plating | Gold |
| Inner Conductor Plating Specification | MIL-G-45204 |
| Coupling Nut Material and Plating | Brass, Nickel |
| Body Material and Plating | Brass, Nickel |
| Dielectric Type | Teflon |

Compliance Certifications (visit www.Pasternack.com for current document)

| | |
|----------------|-----|
| RoHS Compliant | Yes |
|----------------|-----|

Plotted and Other Data

| | |
|--------|----------------------------|
| Notes: | Values at 25 °C, sea level |
|--------|----------------------------|

URL: <http://www.pasternack.com/n-male-c-male-straight-adapter-pe9538-p.aspx>

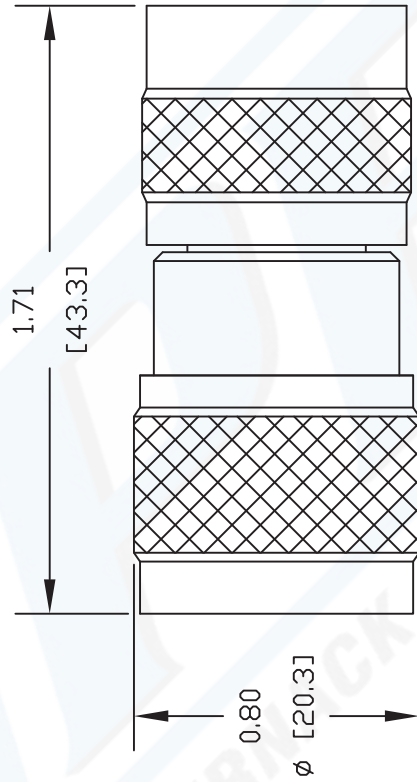
N Male to C Male Adapter from Pasternack Enterprises has same day shipment for domestic and International orders. Our RF, microwave and fiber optic products maintain a 99% availability and are part of the broadest selection in the industry.

The information contained in this document is accurate to the best of our knowledge and representative of the part described herein. It may be necessary to make modifications to the part and/or the documentation of the part, in order to implement improvements. Pasternack reserves the right to make such changes as required. Unless otherwise stated, all specifications are nominal.



PE9538 CAD Drawing

N Male to C Male Adapter



NOTES:
 1. UNLESS OTHERWISE SPECIFIED ALL DIMENSIONS ARE NOMINAL.
 2. ALL SPECIFICATIONS ARE SUBJECT TO CHANGE WITHOUT NOTICE AT ANY TIME.
 3. DIMENSIONS ARE IN INCHES [mm].

DWG TITLE
PE9538

PASTERNAK ENTERPRISES, INC.
 P.O. BOX 16759, IRVINE, CA 92623
 PHONE (949) 261-1920 FAX (949) 261-7451
 WEB ADDRESS: www.pasternack.com
 E-MAIL ADDRESS: sales@pasternack.com
COAXIAL & FIBER OPTICS



| | | | | | |
|--------|----------------|-----------------|-----------|--------|-----|
| REV. - | FSCM NO. 53919 | CAD FILE 100102 | SCALE N/A | SIZE A | 127 |
|--------|----------------|-----------------|-----------|--------|-----|