



## Isolated Ground BNC Female to BNC Female Bulkhead Adapter

## TECHNICAL DATA SHEET

PE9172

**Isolated Ground BNC Female to BNC Female Bulkhead Adapter**
**Configuration**

Connector 1	BNC Female
Connector 2	BNC Female
Adapter Design	Standard
Body Style	Straight
Mount Method	Bulkhead
Isolated Ground / Hermetic	Isolated Ground

**Electrical Specifications**

Frequency Range, GHz	DC to 4
Impedance, Ohms	50
Maximum VSWR	1.5:1
Maximum Operating Voltage, Volts	500
Dielectric Withstanding Voltage, Vrms	1,500

**Mechanical Specifications**
**Temperature**

Operating Range, deg C	-40 to +60
------------------------	------------

**Size**

Length, in [mm]	1.28 [32.51]
Width/Dia., in [mm]	0.63 [16]
Dielectric Type	Teflon

**Connector 1**

Type	BNC Female
Inner Conductor Material and Plating	Brass, Gold
Inner Conductor Plating Specification	30µ in. minimum
Body Material and Plating	Brass, Nickel
Body Plating Specification	100µ in. minimum

**Connector 2**

Type	BNC Female
Inner Conductor Material and Plating	Brass, Gold
Inner Conductor Plating Specification	30µ in. minimum
Body Material and Plating	Brass, Nickel
Body Plating Specification	100µ in. minimum

**Compliance Certifications** (visit [www.Pasternack.com](http://www.Pasternack.com) for current document)

RoHS Compliant	Yes
----------------	-----

Click the following link (or enter part number in "SEARCH" on website) to obtain additional part information including price, inventory and certifications: [Isolated Ground BNC Female to BNC Female Bulkhead Adapter PE9172](#)

The information contained in this document is accurate to the best of our knowledge and representative of the part described herein. It may be necessary to make modifications to the part and/or the documentation of the part, in order to implement improvements. Pasternack reserves the right to make such changes as required. Unless otherwise stated, all specifications are nominal.





## Isolated Ground BNC Female to BNC Female Bulkhead Adapter

### TECHNICAL DATA SHEET

PE9172

#### Plotted and Other Data

Notes:

Values at 25 °C, sea level

URL: <http://www.pasternack.com/bnc-female-bnc-female-straight-adapter-pe9172-p.aspx>

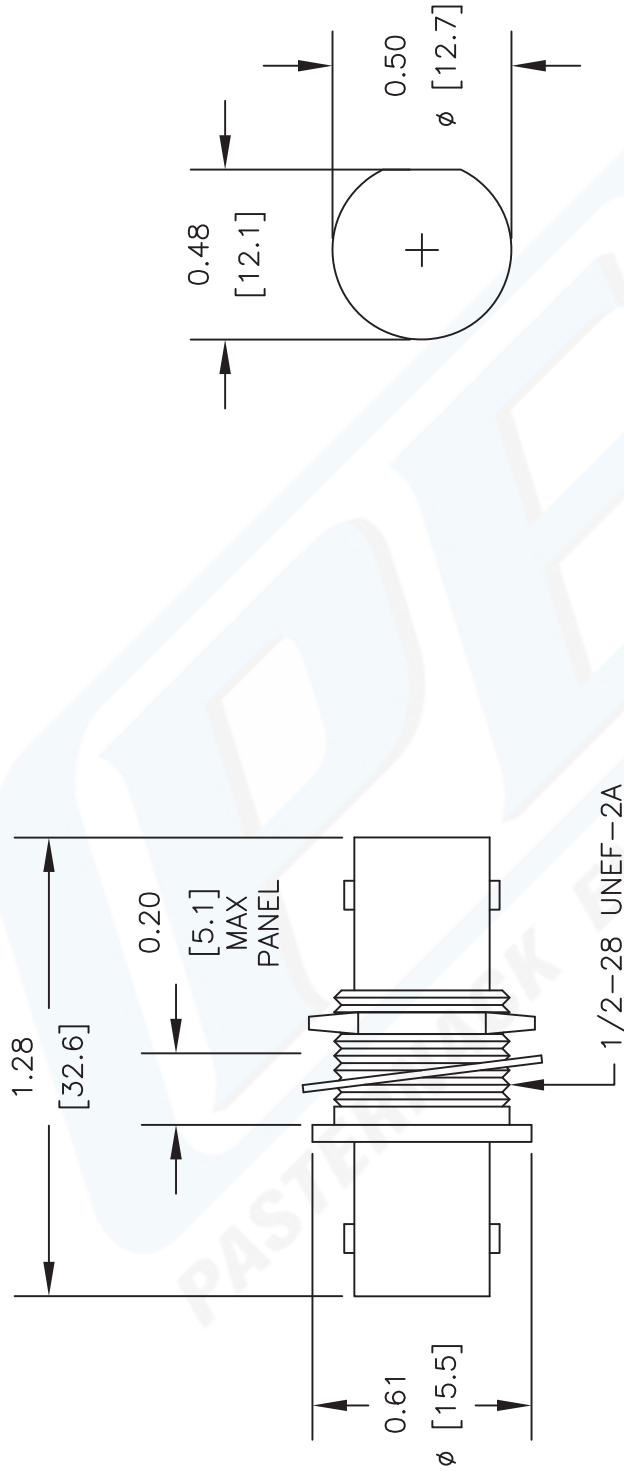
Isolated Ground BNC Female to BNC Female Bulkhead Adapter from Pasternack Enterprises has same day shipment for domestic and International orders. Our RF, microwave and fiber optic products maintain a 99% availability and are part of the broadest selection in the industry.

The information contained in this document is accurate to the best of our knowledge and representative of the part described herein. It may be necessary to make modifications to the part and/or the documentation of the part, in order to implement improvements. Pasternack reserves the right to make such changes as required. Unless otherwise stated, all specifications are nominal.



# PE9172 CAD Drawing

Isolated Ground BNC Female to BNC Female Bulkhead Adapter



DWG TITLE

**PE9172**

NOTES:  
 1. UNLESS OTHERWISE SPECIFIED ALL DIMENSIONS ARE NOMINAL.  
 2. ALL SPECIFICATIONS ARE SUBJECT TO CHANGE WITHOUT NOTICE AT ANY TIME.  
 3. DIMENSIONS ARE IN INCHES [mm].

REV. -

FSCM NO. 53919

CAD FILE 082802

SCALE N/A

SIZE A

127



**PASTERNAK**  
 Pasternack Enterprises, Inc.  
 P.O. Box 16759 | Irvine | CA | 92623  
 Phone: (949) 261-1920 | Fax: (949) 261-7451  
 Website: www.pasternack.com | E-Mail: sales@pasternack.com