



4 Hole Flange N Female to HN Female Adapter

TECHNICAL DATA SHEET

PE9553

Configuration

| | |
|----------------|---------------|
| Connector 1 | N Female |
| Impedance 1 | 50 Ohms |
| Connector 2 | HN Female |
| Impedance 2 | 50 Ohms |
| Adapter Design | Standard |
| Body Style | Straight |
| Mount Method | 4 Hole Flange |

Mechanical Specifications

Temperature

| | |
|-----------------------|-------------|
| Operating Range,deg C | -65 to +165 |
|-----------------------|-------------|

Size

| | |
|---------------------|--------------|
| Length, in [mm] | 1.76 [44.7] |
| Width/Dia., in [mm] | 1.19 [30.23] |
| Height, in [mm] | 1.19 [30.23] |

Connector 1

| | |
|---------------------------------------|---------------|
| Type | N Female |
| Inner Conductor Material and Plating | Silver |
| Inner Conductor Plating Specification | QQ-S-365 |
| Body Material and Plating | Brass, Nickel |
| Dielectric Type | Teflon |

Connector 2

| | |
|---------------------------------------|---------------|
| Type | HN Female |
| Inner Conductor Material and Plating | Silver |
| Inner Conductor Plating Specification | QQ-S-365 |
| Body Material and Plating | Brass, Nickel |
| Dielectric Type | Teflon |

Compliance Certifications (visit www.Pasternack.com for current document)

| | |
|-----------------|------------|
| RoHS Compliant | Yes |
| REACH Compliant | 06/18/2012 |

Click the following link (or enter part number in "SEARCH" on website) to obtain additional part information including price, inventory and certifications: [4 Hole Flange N Female to HN Female Adapter PE9553](#)

The information contained in this document is accurate to the best of our knowledge and representative of the part described herein. It may be necessary to make modifications to the part and/or the documentation of the part, in order to implement improvements. Pasternack reserves the right to make such changes as required. Unless otherwise stated, all specifications are nominal.



4 Hole Flange N Female to HN Female Adapter

TECHNICAL DATA SHEET

PE9553

Plotted and Other Data

Notes:

Values at 25 °C, sea level

4 Hole Flange N Female to HN Female Adapter from Pasternack Enterprises has same day shipment for domestic and International orders. Our RF, microwave and fiber optic products maintain a 99% availability and are part of the broadest selection in the industry.

Click the following link (or enter part number in "SEARCH" on website) to obtain additional part information including price, inventory and certifications: [4 Hole Flange N Female to HN Female Adapter PE9553](#)

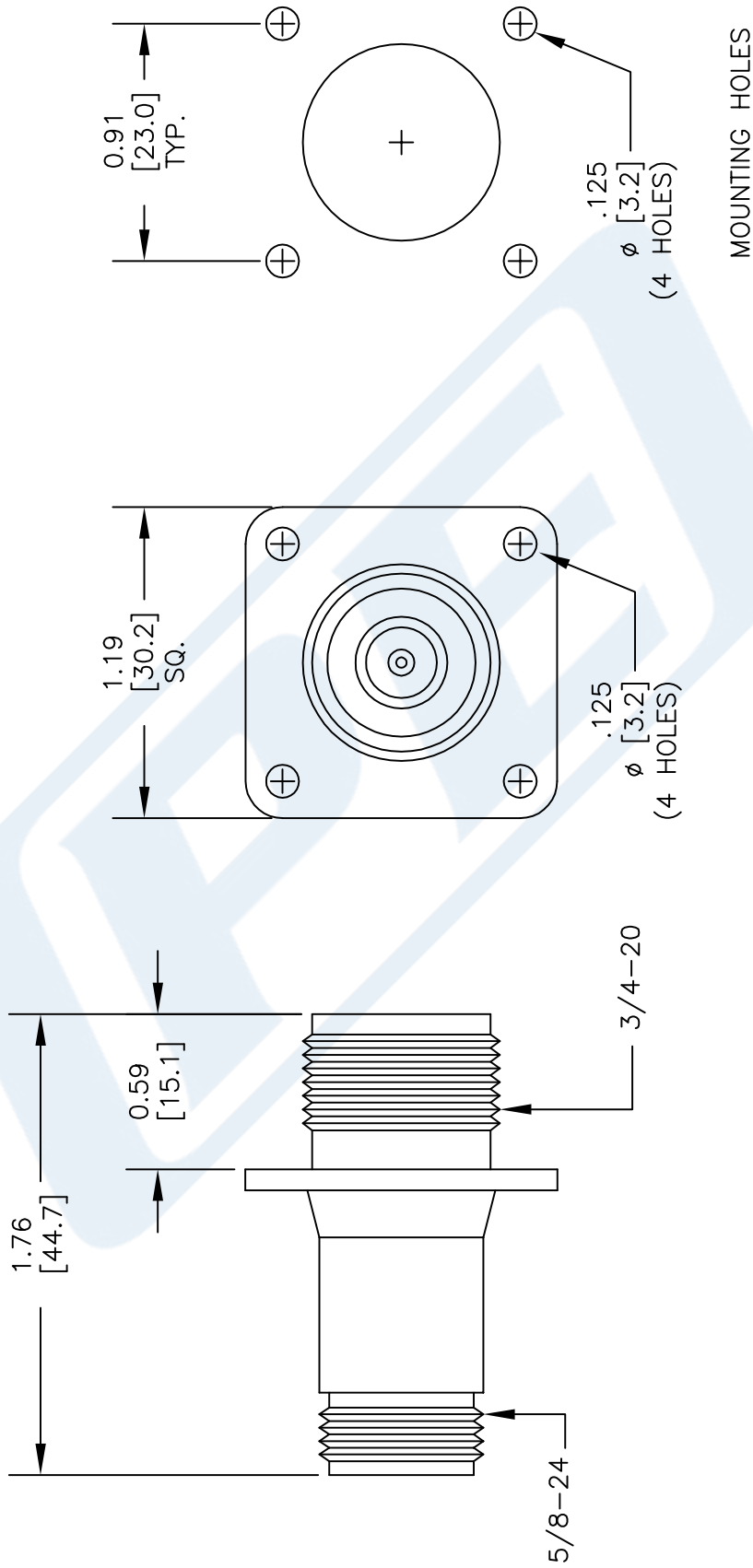
URL: <http://www.pasternack.com/n-female-hn-female-straight-adapter-pe9553-p.aspx>

The information contained in this document is accurate to the best of our knowledge and representative of the part described herein. It may be necessary to make modifications to the part and/or the documentation of the part, in order to implement improvements. Pasternack reserves the right to make such changes as required. Unless otherwise stated, all specifications are nominal.



PE9553 CAD Drawing

4 Hole Flange N Female to HN Female Adapter



NOTES:
 1. UNLESS OTHERWISE SPECIFIED ALL DIMENSIONS ARE NOMINAL.
 2. ALL SPECIFICATIONS ARE SUBJECT TO CHANGE WITHOUT NOTICE AT ANY TIME.
 3. DIMENSIONS ARE IN INCHES (mm).

DWG TITLE
PE9553

FSCM NO. 53919

CAD FILE 021214 SCALE N/A SIZE A 150

PE PASTERNAK
 THE ENGINEER'S RF SOURCE
 Pasternack Enterprises, Inc.
 P.O. Box 16759 | Irvine | CA | 92623
 Phone: (949) 261-1920 | Fax: (949) 261-7451
 Website: www.pasternack.com | E-Mail: sales@pasternack.com