

DC BLOCKS SMA

10 MHz - 18 GHz INNER ONLY



MODELS: 8055 & 8055H

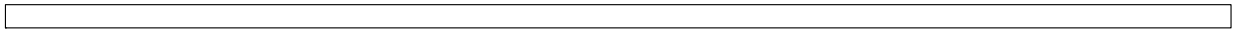
SPECIFICATIONS:

Electrical:

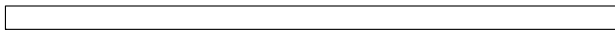
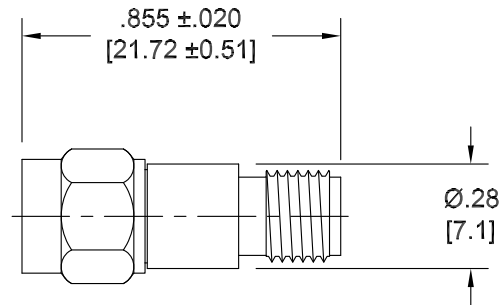
Frequency Range _____ 10 MHz – 18 GHz
VSWR _____ 1.35:1 Max.
Impedance _____ 50 Ohms
Insertion Loss _____ 0.5 dB Max.
Voltage Rating _____ 200 Volts
Operating Temp. Range _____ -65°C to +125°C

Mechanical:

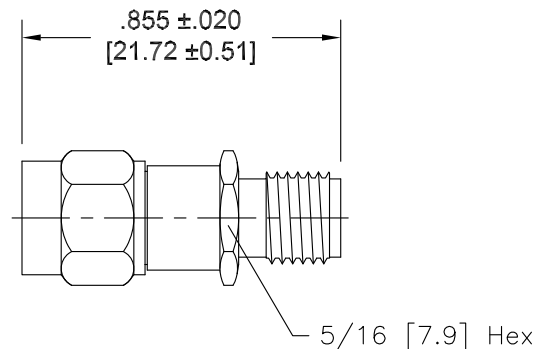
Connectors _____ Passivated Stainless Steel
Mates with MIL-STD-348
Conductors _____ Gold Plated Beryllium Copper



Model Number: **8055**
Male / Female Connectors



Model Number: **8055H**
Male / Female Connectors



Note: Dimensions in Brackets are Expressed in Millimeters and are for Reference Only.
Design specifications are subject to change without notice.
Contact factory for technical specifications before purchasing or use.