



## Precision SMA Female to Mini SMP Female Adapter

### TECHNICAL DATA SHEET

PE91051

#### Precision SMA Female to Mini SMP Female Adapter

##### Configuration

Connector 1	SMA Female
Impedance 1	50 Ohms
Connector Specification 1	MIL-STD-348
Connector 2	Mini SMP Female
Impedance 2	50 Ohms
Connector Specification 2	MIL-STD-348
Adapter Design	Precision
Body Style	Straight

##### Electrical Specifications

Frequency Range, GHz	DC to 26.5
Maximum VSWR	1.2:1

##### Mechanical Specifications

###### Temperature

Operating Range, deg C	-55 to +125
------------------------	-------------

###### Size

Length, in [mm]	0.714 [18.14]
Width/Dia., in [mm]	0.278 [7.06]

##### Connector 1

Type	SMA Female
Inner Conductor Material and Plating	Beryllium Copper, Gold
Inner Conductor Plating Specification	MIL-G-45204, Type I, Grade 1, Class A
Outer Conductor Material and Plating	Passivated Stainless Steel
Body Material and Plating	Passivated Stainless Steel
Body Plating Specification	AMS-QQ-P-35
Dielectric Type	PTFE

##### Connector 2

Type	Mini SMP Female
Inner Conductor Material and Plating	Beryllium Copper, Gold
Inner Conductor Plating Specification	MIL-G-45204, Type I, Grade 1, Class A
Outer Conductor Material and Plating	Beryllium Copper, Gold
Body Material and Plating	Beryllium Copper, Gold
Dielectric Type	PTFE

##### Compliance Certifications (visit [www.Pasternack.com](http://www.Pasternack.com) for current document)

RoHS Compliant	Yes
----------------	-----

Click the following link (or enter part number in "SEARCH" on website) to obtain additional part information including price, inventory and certifications: [Precision SMA Female to Mini SMP Female Adapter PE91051](#)

The information contained in this document is accurate to the best of our knowledge and representative of the part described herein. It may be necessary to make modifications to the part and/or the documentation of the part, in order to implement improvements. Pasternack reserves the right to make such changes as required. Unless otherwise stated, all specifications are nominal.



## Precision SMA Female to Mini SMP Female Adapter

### TECHNICAL DATA SHEET

PE91051

#### Plotted and Other Data

Notes:

Values at 25 °C, sea level

Precision SMA Female to Mini SMP Female Adapter from Pasternack Enterprises has same day shipment for domestic and International orders. Our RF, microwave and fiber optic products maintain a 99% availability and are part of the broadest selection in the industry.

Click the following link (or enter part number in "SEARCH" on website) to obtain additional part information including price, inventory and certifications: [Precision SMA Female to Mini SMP Female Adapter PE91051](http://www.pasternack.com/sma-female-mini-smp-female-straight-adapter-pe91051-p.aspx)

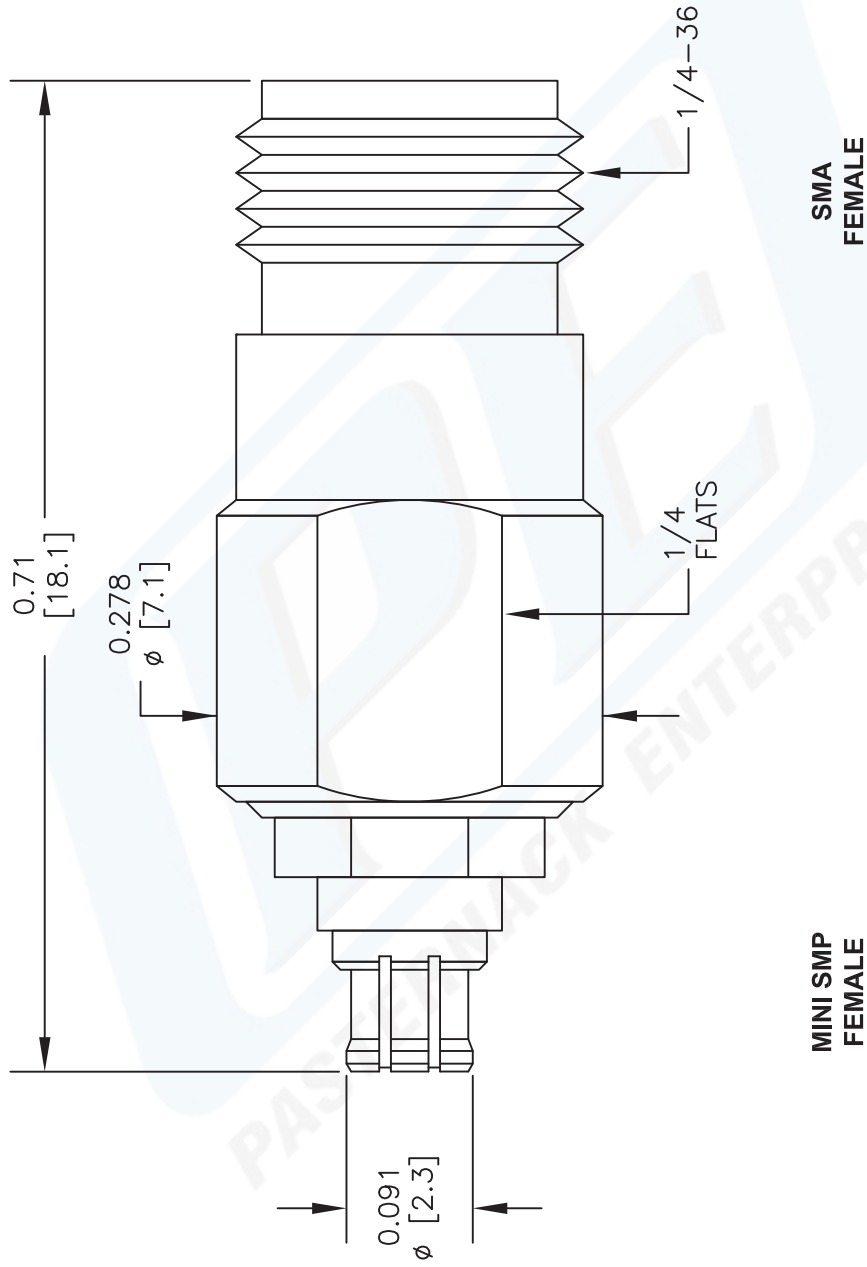
URL: <http://www.pasternack.com/sma-female-mini-smp-female-straight-adapter-pe91051-p.aspx>

The information contained in this document is accurate to the best of our knowledge and representative of the part described herein. It may be necessary to make modifications to the part and/or the documentation of the part, in order to implement improvements. Pasternack reserves the right to make such changes as required. Unless otherwise stated, all specifications are nominal.



# PE91051 CAD Drawing

Precision SMA Female to Mini SMP Female Adapter



NOTES:  
 1. UNLESS OTHERWISE SPECIFIED ALL DIMENSIONS ARE NOMINAL.  
 2. ALL SPECIFICATIONS ARE SUBJECT TO CHANGE WITHOUT NOTICE AT ANY TIME.  
 3. DIMENSIONS ARE IN INCHES [mm].

DWG TITLE  
**PE91051**

FSCM NO. 53919

SCALE N/A

SIZE A

CAD FILE 010614

2233

**PE PASTERNAK**  
 Pasternack Enterprises, Inc.  
 P.O. Box 16759 | Irvine | CA | 92623  
 Phone: (949) 261-1920 | Fax: (949) 261-7451  
 Website: www.pasternack.com | E-Mail: sales@pasternack.com