



TECHNICAL DATA SHEET

PE9077

SMA Female to TNC Male Adapter
Configuration

Connector 1	SMA Female
Connector Specification 1	MIL-STD-348A
Connector 2	TNC Male
Adapter Design	Standard
Body Style	Straight

Electrical Specifications

Frequency Range, GHz	DC to 11
Impedance, Ohms	50
Maximum VSWR	1.3:1
Maximum Operating Voltage, Volts	500
Dielectric Withstanding Voltage, Vrms	1,000

Mechanical Specifications
Temperature

Operating Range, deg C	-65 to +165
------------------------	-------------

Size

Length, in [mm]	1.173 [29.79]
Width/Dia., in [mm]	0.591 [15.01]
Dielectric Type	Teflon

Connector 1

Type	SMA Female
Inner Conductor Material and Plating	Beryllium Copper, Gold
Inner Conductor Plating Specification	50μ in. minimum
Body Material and Plating	Brass, Nickel
Body Plating Specification	100μ in. minimum

Connector 2

Type	TNC Male
Inner Conductor Material and Plating	Beryllium Copper, Gold
Inner Conductor Plating Specification	50μ in. minimum
Coupling Nut Material and Plating	Brass, Nickel
Coupling Nut Plating Specification	100μ in. minimum
Body Material and Plating	Brass, Nickel
Body Plating Specification	100μ in. minimum

Compliance Certifications (visit www.Pasternack.com for current document)

RoHS Compliant	Yes
----------------	-----

Click the following link (or enter part number in "SEARCH" on website) to obtain additional part information including price, inventory and certifications: [SMA Female to TNC Male Adapter PE9077](#)

The information contained in this document is accurate to the best of our knowledge and representative of the part described herein. It may be necessary to make modifications to the part and/or the documentation of the part, in order to implement improvements. Pasternack reserves the right to make such changes as required. Unless otherwise stated, all specifications are nominal.



TECHNICAL DATA SHEET

PE9077

Plotted and Other Data

Notes:

Values at 25 °C, sea level

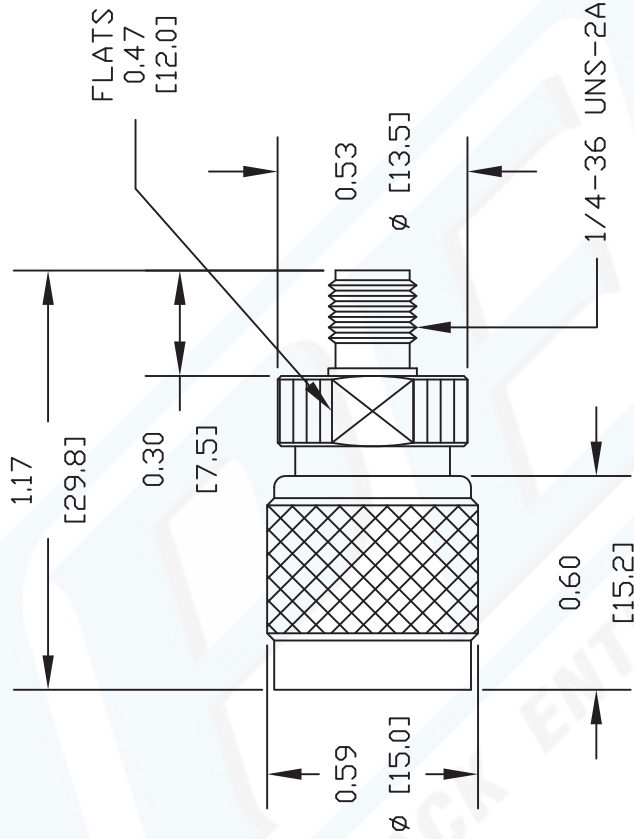
URL: <http://www.pasternack.com/sma-female-tnc-male-straight-adapter-pe9077-p.aspx>

SMA Female to TNC Male Adapter from Pasternack Enterprises has same day shipment for domestic and International orders. Our RF, microwave and fiber optic products maintain a 99% availability and are part of the broadest selection in the industry.

The information contained in this document is accurate to the best of our knowledge and representative of the part described herein. It may be necessary to make modifications to the part and/or the documentation of the part, in order to implement improvements. Pasternack reserves the right to make such changes as required. Unless otherwise stated, all specifications are nominal.

PE9077 CAD Drawing

SMA Female to TNC Male Adapter



DWG TITLE

PE9077

NOTES:

1. UNLESS OTHERWISE SPECIFIED ALL DIMENSIONS ARE NOMINAL.
2. ALL SPECIFICATIONS ARE SUBJECT TO CHANGE WITHOUT NOTICE AT ANY TIME.
3. DIMENSIONS ARE IN INCHES [mm].

REV. B

FSCM NO. 53919

CAD FILE 051211

SCALE N/A

SIZE A

2231



PASTERNAK®
Pasternack Enterprises, Inc.
P.O. Box 16759 | Irvine | CA | 92623

Phone: (949) 261-1920 | Fax: (949) 261-7451

Website: www.pasternack.com | E-Mail: sales@pasternack.com