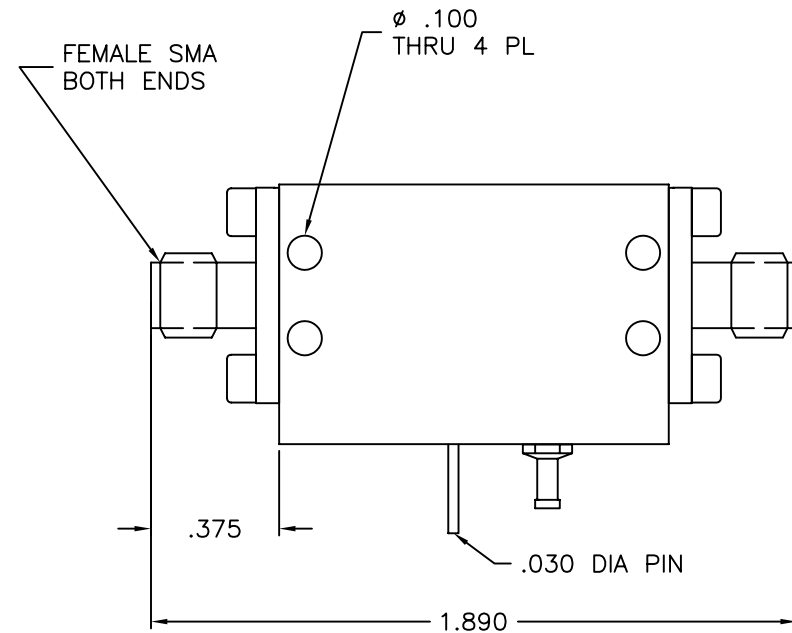
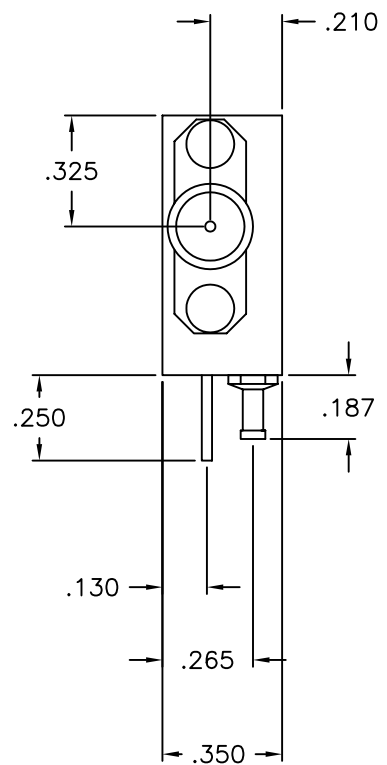
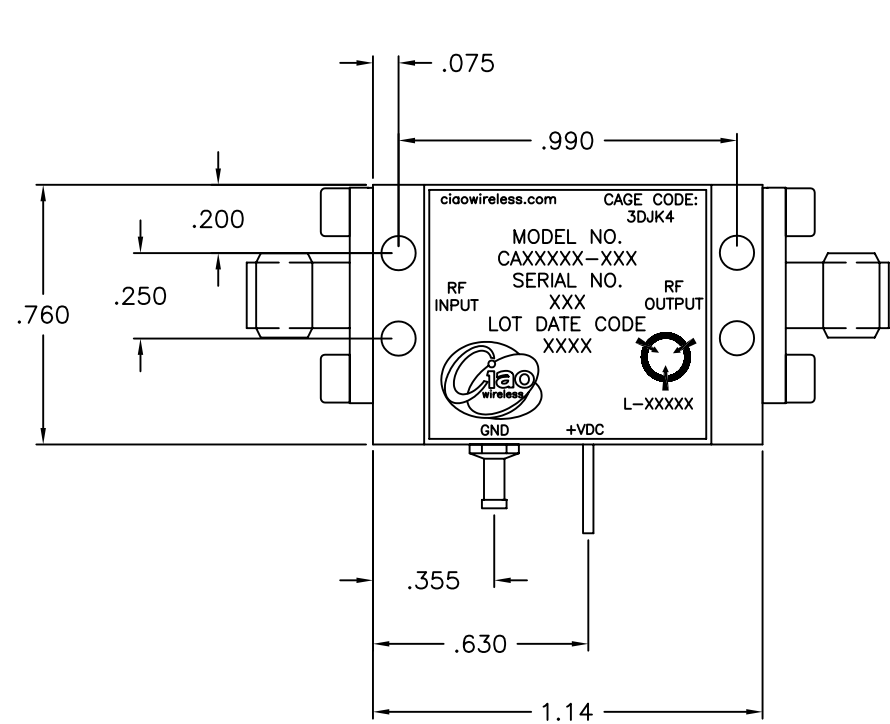
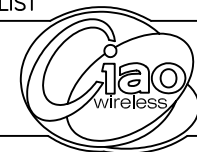


REVISIONS					
ZONE	REV	DESCRIPTION	ECO#	DATE	APPROVED
	A	RELEASED			



ITEM NO.	QTY REQD	PART OR IDENTIFYING NO.	NOMENCLATURE OR DESCRIPTION	MATERIAL SPECIFICATION
PARTS LIST				
UNLESS OTHERWISE SPECIFIED: DIMENSIONS ARE IN INCHES. TOLERANCES ARE: FRACTIONS DECIMALS HOLES ANGLES ± 1/64 .XX ±.03 .XX ±.03 ± 0°30' MACHINED FINISH: 32 RMS REMOVE BURRS .005 MAX			CONTRACT NO.	
MATERIAL ALUMINUM 6061-T6			APPROVALS DATE DRAWN J. LACBAIN 3/15/04 CHECKED	
FINISH ELECTROLESS NICKEL PER MIL-C-26074 CLASS 4 GRADE B .0005 ± .0001 MAX			MECHANICAL ENGR	
NEXT ASSY USED ON			ELECTRICAL ENGR	
APPLICATION DO NOT SCALE DRAWING			PRODUCT ASSURANCE	
			PLANNING	
			MANUFACTURING	
			SIZE B	CAGE CODE 3DJK4
			DWG. NO. 30016	REV. A
			SCALE 1/1	SHEET 1 OF 1



**CIAO WIRELESS**  
4000 VIA PESCADOR  
CAMARILLO CA, 93012

K2 ICD AMPLIFIER

DWG NO. 30016

REV. A, 1/07