



## 1.85mm Male to 1.85mm Female Adapter

### RF Adapters Technical Data Sheet

PE9715

#### Configuration

Connector 1	1.85mm Male
Connector 2	1.85mm Female
Impedance	50 Ohms
Body Style	Straight

#### Performance by Frequency

Description	F1	F2	F3	F4	F5	Units
Frequency Range	DC	26.5	50	65		GHz
VSWR, Max	1.25:1	1.35:1	1.5:1			

#### Mechanical Specifications

##### Size

Length	0.8 in [20.32 mm]
Width	0.312 in [7.92 mm]

Description	Connector 1	Connector 2
Type	1.85mm Male	1.85mm Female
Polarity	Standard	Standard
Hex Size	5/16 in.	
Mating Torque, Max	8 in-lbs [0.9 Nm]	

#### Environmental Specifications

##### Temperature

Operating Range	-65 to 125 deg C
-----------------	------------------

#### Compliance Certifications (visit [www.Pasternack.com](http://www.Pasternack.com) for current document)

RoHS Compliant

Click the following link (or enter part number in "SEARCH" on website) to obtain additional part information including price, inventory and certifications: [1.85mm Male to 1.85mm Female Adapter PE9715](#)



## 1.85mm Male to 1.85mm Female Adapter

### RF Adapters Technical Data Sheet

PE9715

#### Plotted and Other Data

Notes:

1.85mm Male to 1.85mm Female Adapter from Pasternack Enterprises has same day shipment for domestic and International orders. Our RF, microwave and millimeter wave products maintain a 99% availability and are part of the broadest selection in the industry.

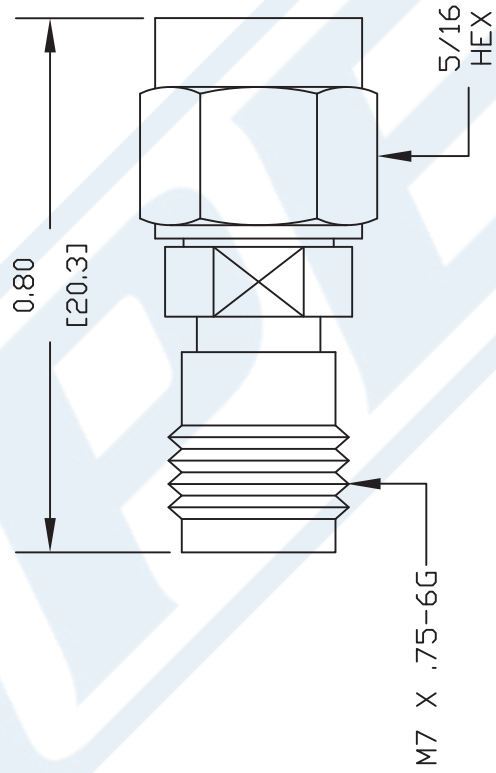
Click the following link (or enter part number in "SEARCH" on website) to obtain additional part information including price, inventory and certifications: [1.85mm Male to 1.85mm Female Adapter PE9715](#)

URL: <http://www.pasternack.com/1.85mm-male-1.85mm-female-straight-adapter-pe9715-p.aspx>

The information contained in this document is accurate to the best of our knowledge and representative of the part described herein. It may be necessary to make modifications to the part and/or the documentation of the part, in order to implement improvements. Pasternack reserves the right to make such changes as required. Unless otherwise stated, all specifications are nominal. Pasternack does not make any representation or warranty regarding the suitability of the part described herein for any particular purpose, and Pasternack does not assume any liability arising out of the use of any part or documentation.

# PE9715 CAD Drawing

## 1.85mm Male to 1.85mm Female Adapter



DWG TITLE

**PE9715**

NOTES:  
 1. UNLESS OTHERWISE SPECIFIED ALL DIMENSIONS ARE NOMINAL.  
 2. ALL SPECIFICATIONS ARE SUBJECT TO CHANGE WITHOUT NOTICE AT ANY TIME.  
 3. DIMENSIONS ARE IN INCHES [mm].

**PASTERNAK ENTERPRISES, INC.**  
 P O BOX 16759, IRVINE, CA 92623  
 PHONE (949) 261-1920 FAX (949) 261-7451  
 WEB ADDRESS: [www.pasternack.com](http://www.pasternack.com)  
 E-MAIL ADDRESS: [sales@pasternack.com](mailto:sales@pasternack.com)

**COAXIAL & FIBER OPTICS**



127

SIZE A

SCALE N/A

CAD FILE 072403

FSCM NO. 53919