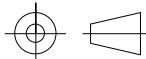
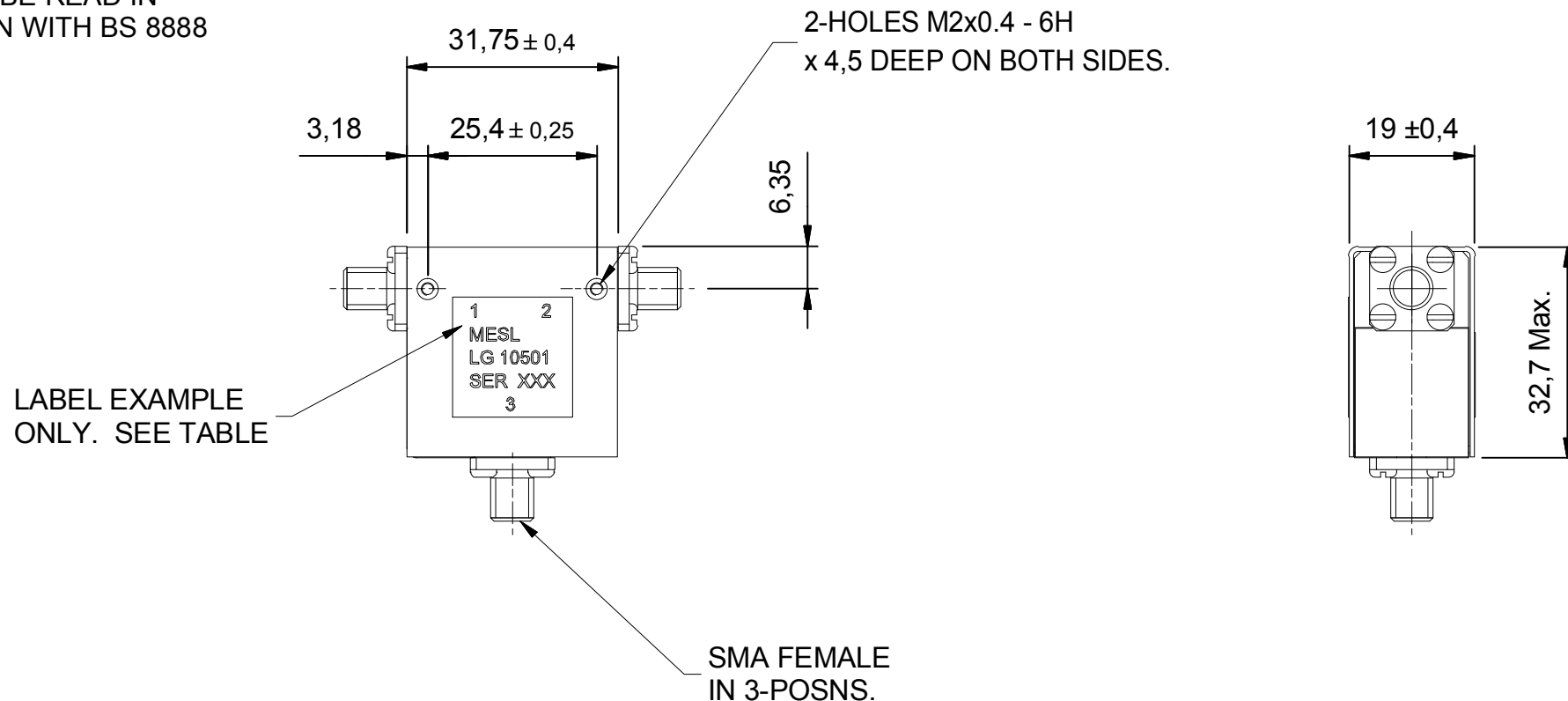


3rd ANGLE PROJECTION



DRAWING TO BE READ IN CONJUNCTION WITH BS 8888

MESL Microwave Ltd



TYPE No.	FREQUENCY (GHz.)	TYPICAL			-10°C to +65°C.		
		INSERTION LOSS (dB Max.)	RETURN LOSS (dB Min.)	ISOLATION (dB Min.)	INSERTION LOSS (dB Max.)	RETURN LOSS (dB Min.)	ISOLATION (dB Min.)
LG 10501	1.0 - 1.2	0.3	23	23	0.4	20	20
LG 10502	1.2 - 1.4	0.3	23	23	0.4	20	20
LG 10503	1.4 - 1.6	0.3	23	23	0.4	20	20
LG 10504	1.6 - 1.8	0.3	23	23	0.4	20	20
LG 10505	1.8 - 2.0	0.3	23	23	0.4	20	20

Q.A.
DATE
PROD.REL.
DATE
ENG.APP.
DATE

NOTES : THIS UNIT IS RoHS COMPLAINT by DESIGN.
LIGHTLY REMOVE ALL BURRS AND SHARP EDGES U.O.S.

THIS DRAWING IS MESL Microwave Ltd. PROPERTY.
IT MAY NOT BE COPIED OR EXHIBITED WITHOUT WRITTEN PERMISSION.

A 3

MECH.ENG.
DATE
DRAWN AB.
DATE 17/12/09

ORIGINAL SCALE DO NOT SCALE PRINT	MATERIAL	SPECIFICATION	GENERAL TOLERANCE U.O.S. (ISO2768-FH) 0 - 6,0 : ±0,05 120,0 - 400,0 : ±0,2 6,0 - 30,0 : ±0,1 400,0 - 1000,0 : ±0,3 30,0 - 120,0 : ±0,15 1000,0 - 2000,0 : ±0,5 Angular Dim : ±0,5° Symmetry ±0,05
NTS.	FINISH	SPECIFICATION	FINISH TO BE 1.6 U.O.S.
DO NOT SCALE PRINT	BODY / LID & : SURTEC 650 Chomital. PLATES.		DIMENSION IN mm

RESPONSIBLE AUTHORITY
TITLE
**1-2GHz COAXIAL CIRCULATOR
OUTLINE TYPE SEE TABLE**

SECURITY CLASSIFICATION	
CONTRACTORS DRAWING NUMBER 10501 to 10505-000-OL	
SERVICE DRAWING NUMBER	SHEET No. 1 OFF 1

C	14.04.10	DRN VARIOUS
ISSUE	DATE	MOD NUMBER