



## 7/16 DIN Tee Adapter Female-Female-Female

### TECHNICAL DATA SHEET

PE9556

#### Configuration

Connector 1	7/16 DIN Female
Impedance 1	50 Ohms
Connector 2	7/16 DIN Female
Impedance 2	50 Ohms
Connector 3	7/16 DIN Female
Adapter Design	Standard
Body Style	Tee

#### Mechanical Specifications

##### Size

Length, in [mm]	2.74 [69.6]
Width/Dia., in [mm]	1.14 [28.96]
Height, in [mm]	1.94 [49.28]

##### Connector 1

Type	7/16 DIN Female
Inner Conductor Material and Plating	Silver
Inner Conductor Plating Specification	QQ-S-365
Body Material and Plating	Brass, Nickel
Dielectric Type	Teflon

##### Connector 2

Type	7/16 DIN Female
Inner Conductor Material and Plating	Silver
Inner Conductor Plating Specification	QQ-S-365
Body Material and Plating	Brass, Nickel
Dielectric Type	Teflon

##### Connector 3

Type	7/16 DIN Female
Inner Conductor Material and Plating	Silver
Inner Conductor Plating Specification	QQ-S-365
Body Material and Plating	Brass, Nickel
Dielectric Type	Teflon

#### Environmental Specifications

##### Temperature

Operating Range	-65 to +165 deg C
-----------------	-------------------

#### Compliance Certifications (visit [www.Pasternack.com](http://www.Pasternack.com) for current document)

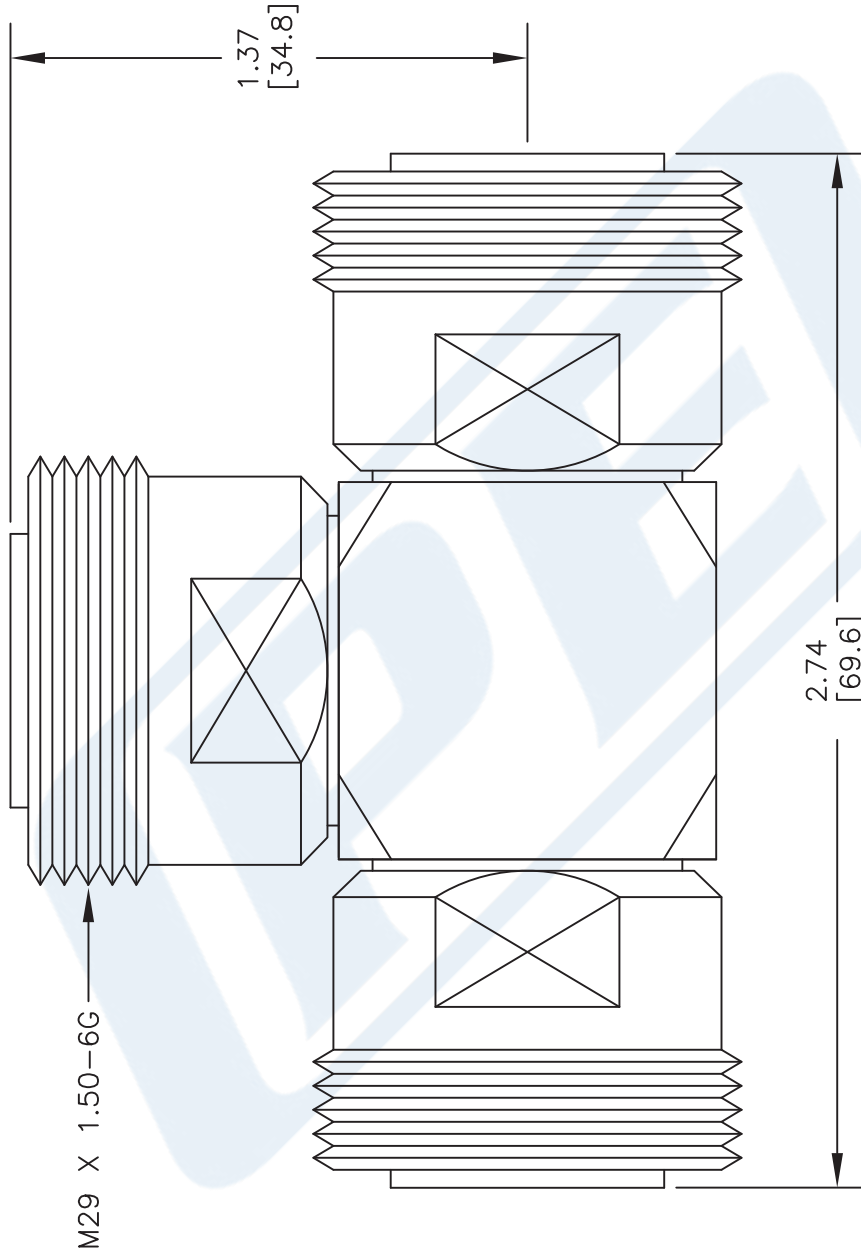
RoHS Compliant	
REACH Compliant	6/18/2012

Click the following link (or enter part number in "SEARCH" on website) to obtain additional part information including price, inventory and certifications: [7/16 DIN Tee Adapter Female-Female-Female PE9556](#)



# PE9556 CAD Drawing

## 7/16 DIN Tee Adapter Female-Female-Female



DWG TITLE

**PE9556**

NOTES:  
 1. UNLESS OTHERWISE SPECIFIED ALL DIMENSIONS ARE NOMINAL.  
 2. ALL SPECIFICATIONS ARE SUBJECT TO CHANGE WITHOUT NOTICE AT ANY TIME.  
 3. DIMENSIONS ARE IN INCHES [mm].

FSCM NO. 53919

CAD FILE 120412-A

SCALE N/A

SIZE A

2233



**PASTERNAK®**  
 Pasternack Enterprises, Inc.  
 P.O. Box 16759 | Irvine | CA | 92623

Phone: (949) 261-1920 | Fax: (949) 261-7451

Website: [www.pasternack.com](http://www.pasternack.com) | E-Mail: [sales@pasternack.com](mailto:sales@pasternack.com)