

5

4

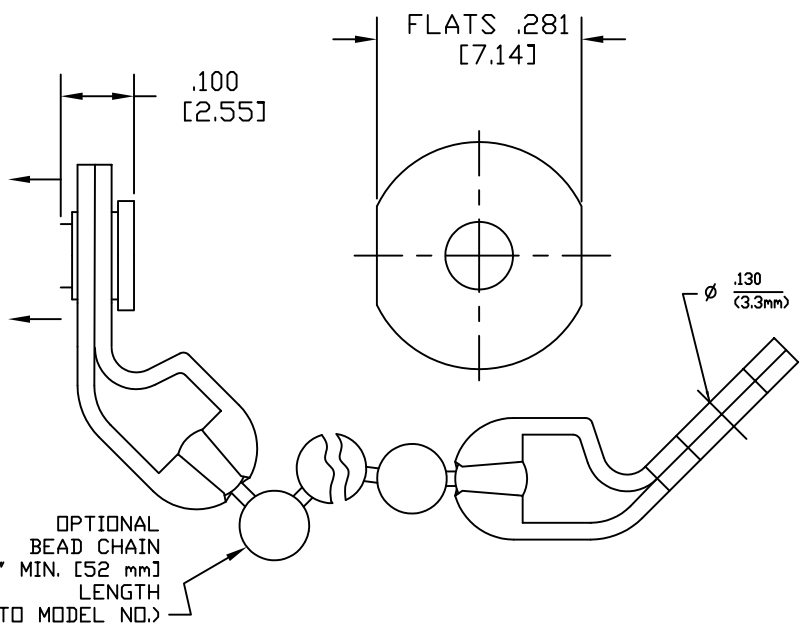
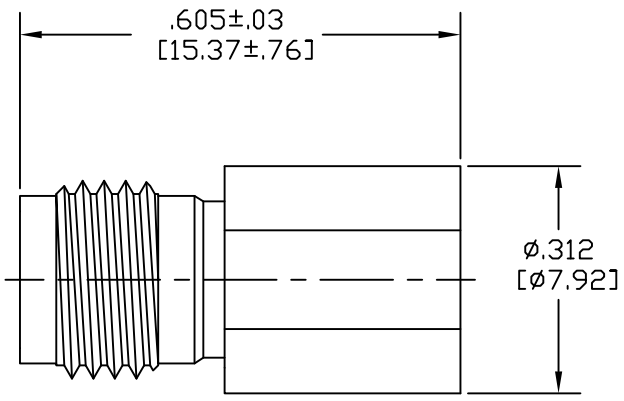
3

2

1

**PRODUCTION
RELEASE**

REVISIONS		DATE	APPROVED
LTR	DESCRIPTION		
B	ADDED STORAGE TEMP	3/29/10	T. KUHN



M07
NOTES:

- MATERIAL:**
HOUSING: STAINLESS STEEL IAW ASTM-A484 & ASTM-A582, ALLOY 303, COND A
CONTACT: BERYLLIUM COPPER
DIELECTRIC - HIGH TEMPERATURE PLASTIC BEAD
- FINISH:**
HOUSING - PASSIVATED STAINLESS STEEL
CONDUCTOR - GOLD PLATED IAW MIL-PRF-39012
- ELECTRICALS:**
VSWR (MAX) DC-50 GHz 1.10+ f_{freq} (.01) MAX.
POWER (AVG. MAX.) @25°C SEE TABLE
DERATES LINEARLY TO 10% @ +100°C
OPERATING/STORAGE TEMPERATURE RANGE °C-55 to +100

ORDERING INFORMATION

8502-700X-02	POWER LEVEL
X = 0	0.5 WATT
X = 1	1 WATT

8502-700X-02 NO CHAIN
 8502-700X-02-C 2" CHAIN ADDED

DRAWING PRACTICES PER ANSI-Y-14.5 MIL-STD-100 & 1000	UNLESS OTHERWISE SPECIFIED TOLERANCES IN:
DIMENSIONS ARE IN INCHES AND APPLY BEFORE/AFTER PROCESSING	DECIMALS INCH MM
SURFACE ROUGHNESS 63 ✓	.X" .03" [.76] .XX" .010" [.25] .XXX" .005 [.127] .XXXX" .0005" [.013]
FINISH SEE NOTES	ANGLES ±0°30' REMOVE ALL BURRS/SHARP W/ BREAK / R OF .003" TO .0005" UNLESS OTHERWISE NOTED DIAS CONCENTRIC <.003 T.I.R.
MATERIAL SEE NOTES	

DRAWN T. KUHN	DATE 2/11/09
CHECKED	DATE
ENG. T. KUHN	DATE 2/11/09

THESE DRAWINGS AND SPECIFICATIONS ARE THE PROPERTY OF XMA CORP. OR OMNI SPECTRA AND SHALL NOT BE REPRODUCED, COPIED NOR USED - IN WHOLE OR IN PART - AS A BASIS FOR THE MANUFACTURE OR SALE OF OTHER ITEMS WITHOUT THE EXPRESS WRITTEN PERMISSION OF XMA CORP.

XMA Omni Spectra™
 150 Dow Street, Manchester, NH 03101 P:603-222-2256 F:603-222-2259

TITLE
 TERMINATION, 2.4mm, FEMALE, DC-50GHz

SIZE B	CAGE CODE 3HT76	DRAWING NUMBER 8502-700X-02 (OPT "C")
SCALE 6:1	PLATED AREA XXX	SHEET 1 OF 1

5

4

3

2

1

BCSI