



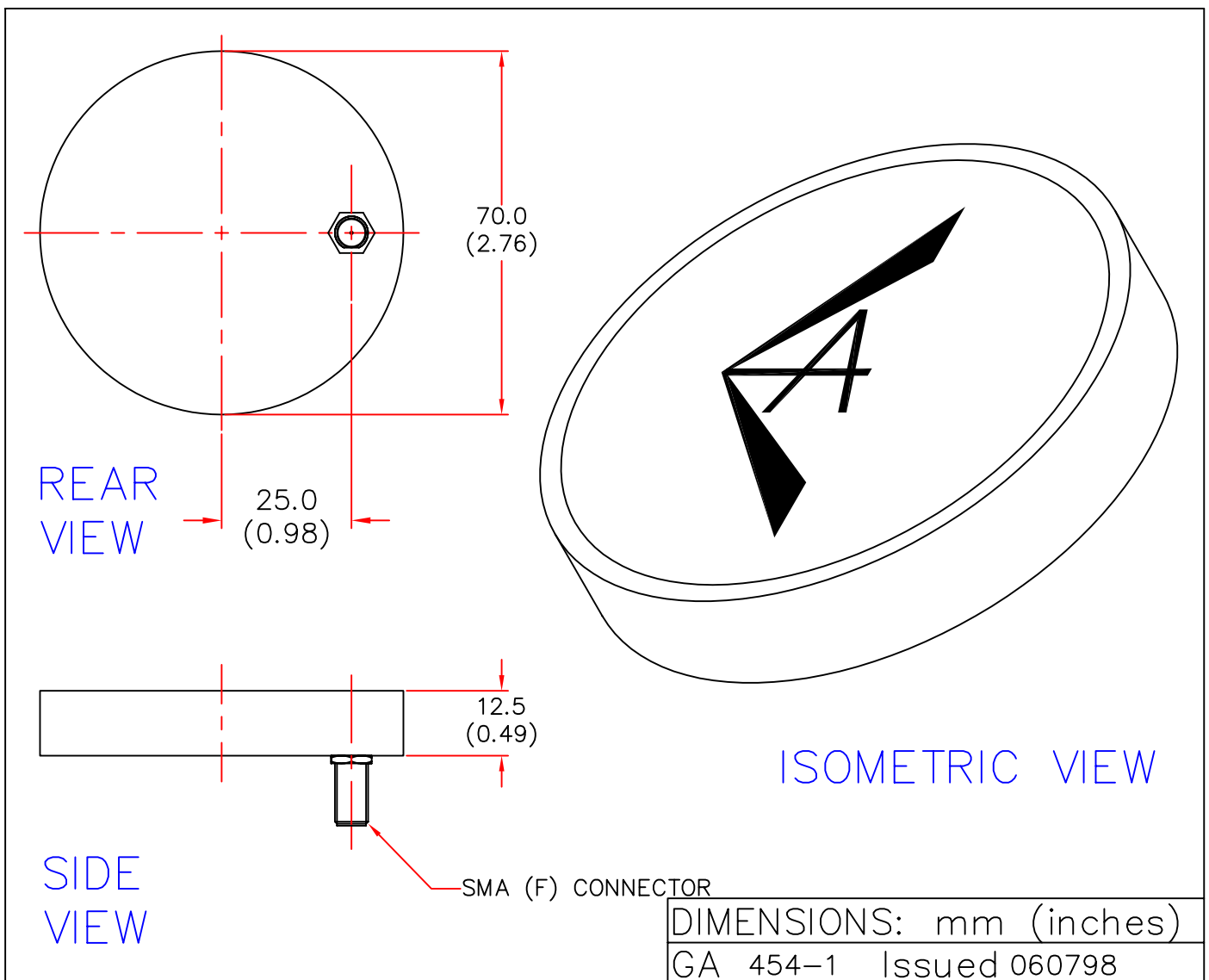
EUROPEAN ANTENNAS



LOW PROFILE ANTENNA

MODEL: LPA7-51R/454

FREQUENCY: 5.0 – 5.2 GHz	GAIN: 7 dBiC
POLARISATION: R H Circular	BEAMWIDTH: 52° x 55°
AXIAL RATIO: 3 dB Typ	VSWR: 1.5:1
POWER RATING: 2W	FRONT TO BACK: 20dB
TEMPERATURE: -20°C to +50°C	MASS: 75g / 0.16lbs
RADOME: Glass Fibre Gloss White	WIND LOADING: 0.62Kg/1.37lbs @ 100mph



EUROPEAN ANTENNAS LTD.

TEL: +44 (0)1638 731888

LAMBDA HOUSE, CHEVELEY,
NEWMARKET, SUFFOLK, CB8 9RG,
UNITED KINGDOM.

FAX: +44 (0)1638 731999

European Antennas Ltd. has a policy of continuous development and therefore stress that the data contained on this sheet should be used for guidance only.