



EUROPEAN ANTENNAS

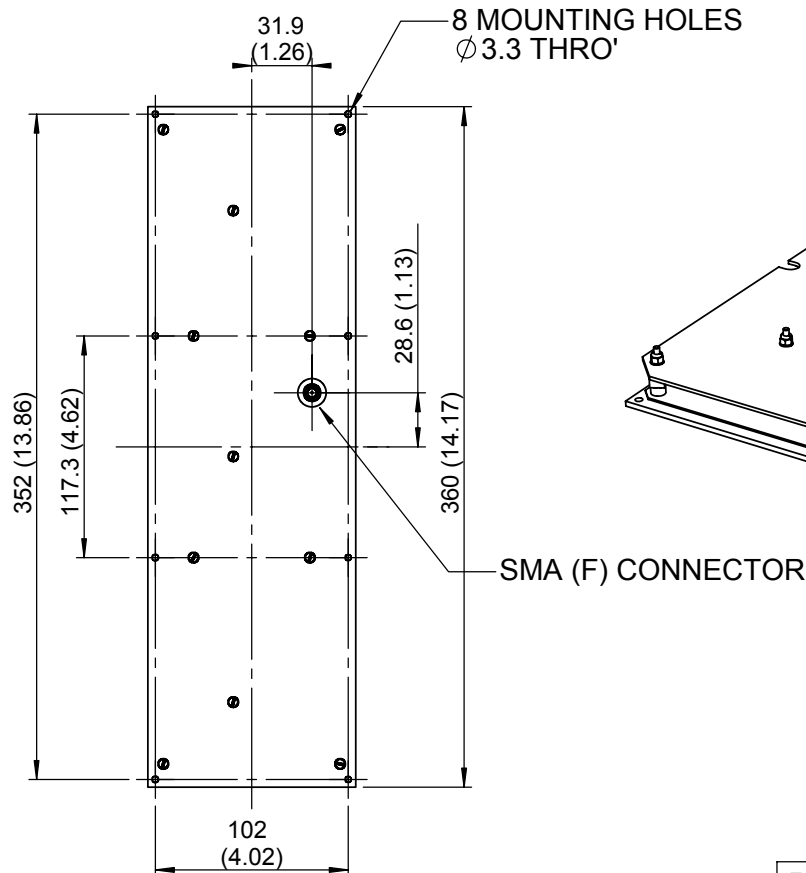
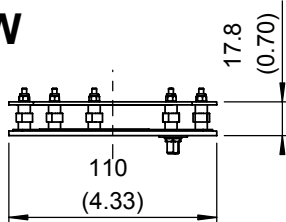
Excellence through design
Creative in concept

FLAT PANEL ANTENNA

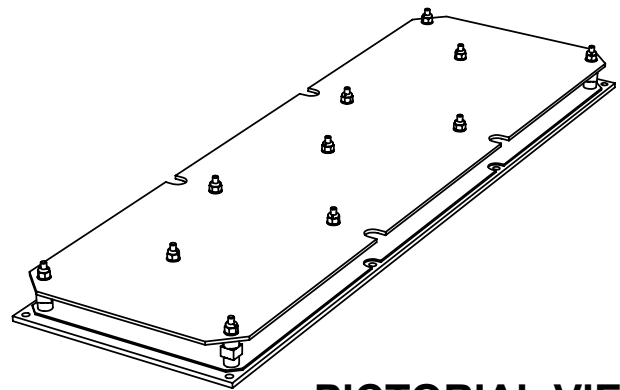
MODEL: FPA11-15L/1023

FREQUENCY:	1.57442-1.57642 GHz	GAIN:	12 dBiC Nominal
POLARISATION:	L.H. Circular	BEAMWIDTH:	75° (Az.) x 25° (El.) Approx.
AXIAL RATIO:	1 dB Typical	VSWR:	1.5 : 1
POWER RATING:	20 W	ELECTRICAL TILT:	10°
TEMPERATURE:	-40° to +60°C	FRONT TO BACK:	25 dB Minimum
FINISH:	Natural	MASS:	0.41 Kg / 0.90 lbs

END VIEW



REAR VIEW



DIMENSIONS: mm (inches)	L
GA: 1023 - 1	Issued: 080103

EUROPEAN ANTENNAS LTD.

Tel: +44 (0)1638 731888
Fax: +44 (0)1638 731999

LAMBDA HOUSE, CHEVELEY
NEWMARKET, SUFFOLK, CB8 9RG,
UNITED KINGDOM

E-Mail: sales@european-antennas.co.uk
Website: www.european-antennas.co.uk