



Push-On SMP Female to SMP Female  
Push-On Adapter up to 8 GHz

TECHNICAL DATA SHEET

PE91068

**Push-On SMP Female to SMP Female Push-On Adapter up to 8 GHz**

**Configuration**

Connector 1	SMP Female
Impedance 1	50 Ohms
Connector 2	SMP Female
Impedance 2	50 Ohms
Body Style	Straight

**Electrical Specifications**

Frequency Range, GHz	DC to 8
----------------------	---------

**Mechanical Specifications**

**Size**

Length, in [mm]	0.254 [6.45]
Width/Dia., in [mm]	0.135 [3.43]

**Connector 1**

Type	SMP Female
Inner Conductor Material and Plating	Beryllium Copper, Gold
Body Material and Plating	Beryllium Copper, Gold
Dielectric Type	PTFE

**Connector 2**

Type	SMP Female
Inner Conductor Material and Plating	Beryllium Copper, Gold
Body Material and Plating	Beryllium Copper, Gold
Dielectric Type	PTFE

**Compliance Certifications** (visit [www.Pasternack.com](http://www.Pasternack.com) for current document)

RoHS Compliant	Yes
----------------	-----

Click the following link (or enter part number in "SEARCH" on website) to obtain additional part information including price, inventory and certifications: [Push-On SMP Female to SMP Female Push-On Adapter up to 8 GHz PE91068](#)

The information contained in this document is accurate to the best of our knowledge and representative of the part described herein. It may be necessary to make modifications to the part and/or the documentation of the part, in order to implement improvements. Pasternack reserves the right to make such changes as required. Unless otherwise stated, all specifications are nominal.





Push-On SMP Female to SMP Female  
Push-On Adapter up to 8 GHz

TECHNICAL DATA SHEET

PE91068

**Plotted and Other Data**

Notes:

Values at 25 °C, sea level

Push-On SMP Female to SMP Female Push-On Adapter up to 8 GHz from Pasternack Enterprises has same day shipment for domestic and International orders. Our RF, microwave and fiber optic products maintain a 99% availability and are part of the broadest selection in the industry.

Click the following link (or enter part number in "SEARCH" on website) to obtain additional part information including price, inventory and certifications: [Push-On SMP Female to SMP Female Push-On Adapter up to 8 GHz PE91068](#)

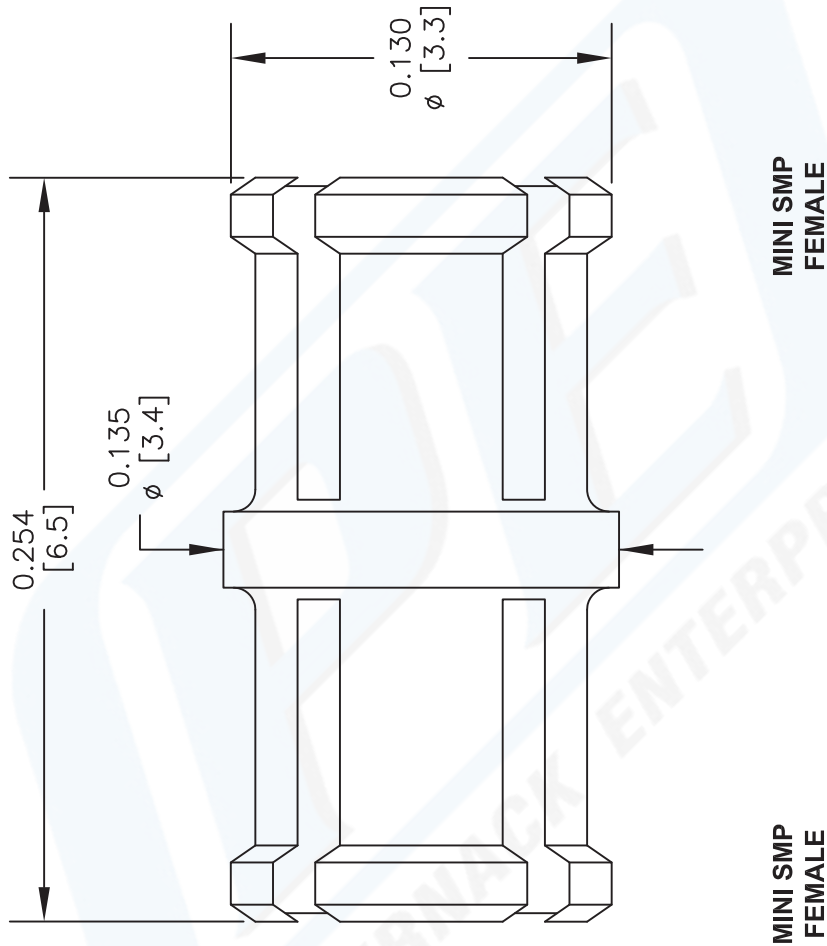
URL: <http://www.pasternack.com/smp-female-smp-female-straight-adapter-pe91068-p.aspx>

The information contained in this document is accurate to the best of our knowledge and representative of the part described herein. It may be necessary to make modifications to the part and/or the documentation of the part, in order to implement improvements. Pasternack reserves the right to make such changes as required. Unless otherwise stated, all specifications are nominal.



# PE91068 CAD Drawing

Push-On SMP Female to SMP Female Push-On Adapter up to 8 GHz



DWG TITLE

**PE91068**

NOTES:  
1. UNLESS OTHERWISE SPECIFIED ALL DIMENSIONS ARE NOMINAL.  
2. ALL SPECIFICATIONS ARE SUBJECT TO CHANGE WITHOUT NOTICE AT ANY TIME.  
3. DIMENSIONS ARE IN INCHES [mm].

FSCM NO. 53919

CAD FILE 030813

SCALE N/A

SIZE A

2233



**PASTERNAK**  
Pasternack Enterprises, Inc.  
P.O. Box 16759 | Irvine | CA | 92623

Phone: (949) 261-1920 | Fax: (949) 261-7451

Website: [www.pasternack.com](http://www.pasternack.com) | E-Mail: [sales@pasternack.com](mailto:sales@pasternack.com)