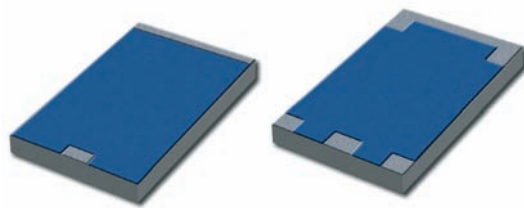
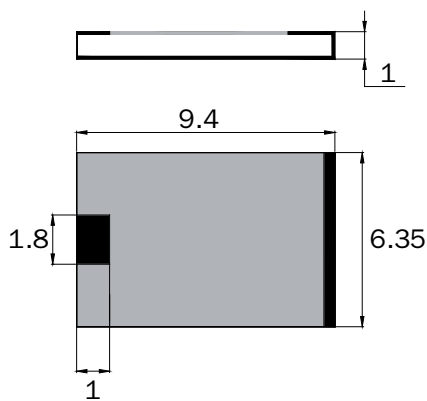
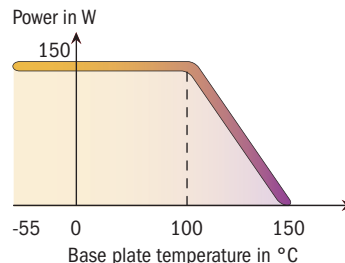


Standards
NF C 96-315
MIL-DTL-39030

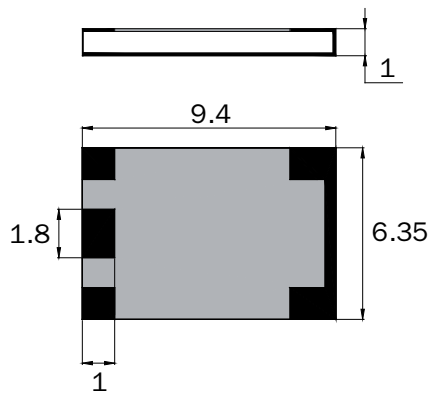


Substrate
Resistive film
Protection film
Contacts finition

AlN
Thick film
Epoxy
Silver over Nickel barrier



40-0047Y



40-0033Y

Dimensions in mm

P/N	Frequency (GHz)	Power (W)	Impedance ($\Omega \pm 5\%$)	Max VSWR
45-0047Y	3	150	50	1.20
45-0033Y*	3	150	50	1.10

mm	inch
1	0.039
1.8	0.071
6.35	0.250
9.4	0.370

* Designed to be mounted with cover substrate Al₂O₃ (0.254 mm thick).

Available on Tap and Reel Packaging