

3.3V, SMD, LV-PECL VCXO



Model: VCP3_AXT Series

RoHS Compliant / Pb Free

Rev. 10/19/2010

Page 1 of 1

http://www.foxonline.com/need_a_sample.htm

Need a
Sample®

FEATURES

- 3.3V Operation
- LV-PECL
- Enable/Disable
- Tape and Reel (2,000 pcs. STD)

OPTIONS

- -40°C ~ +85°C Option ('R' Version)

• PART NUMBER SELECTION [Learn More](#) - Internet Required

Part Number	Model Number	APR ¹ (Min)	Operating Temperature	Frequency Range (MHz)
626-Frequency-xxxxx	VCP35AXT	±100PPM	-10 ~ +70 (°C)	50.000 ~ 600.000
677-Frequency-xxxxx	VCP35AXTR	±100PPM	-40 ~ +85 (°C)	50.000 ~ 600.000
625-Frequency-xxxxx	VCP32AXT	±125PPM	-10 ~ +70 (°C)	50.000 ~ 600.000

• ELECTRICAL CHARACTERISTICS

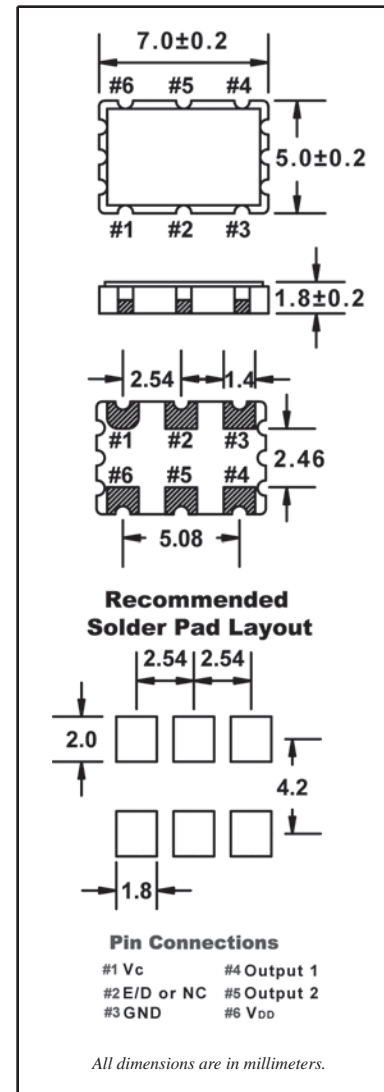
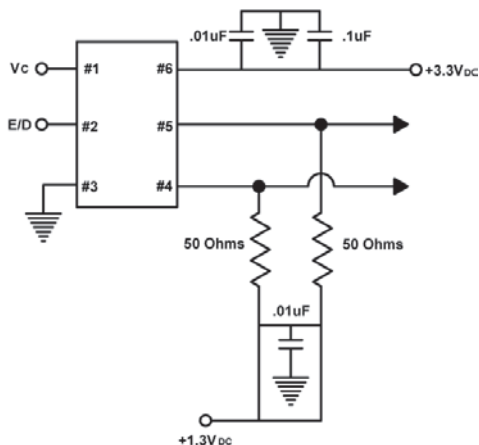
PARAMETERS	MAX (unless otherwise noted)
Frequency Range (Fo)	50.000 ~ 600.000 MHz
Storage Temperature Range (Tstg)	-55°C ~ +125°C
Supply Voltage (VDD)	3.3V ± 5%
Input Current (IDD)	120mA
Output Symmetry (50% Vp-p)	40% ~ 60%
Rise Time (20% ~ 80% Vp-p) (Tr)	0.55nS
Fall Time (80% ~ 20% Vp-p) (Tf)	0.55nS
Output Voltage (VOL)	1.7V
(VOH)	2.2V Min
Output Load	See Recommended Circuit
Start-up Time (Ts)	10mS
Output Disable Time	100nS
Output Enable Time	10mS
Frequency Linearity	±10%
Modulation Bandwidth	20 kHz Min
Phase Noise (@ 10kHz)	-110dBc/Hz
Phase Jitter (12kHz ~ 20MHz)	5pS RMS

¹ Inclusive of 25°C tolerance, operating temperature range, input voltage change, load change, aging, shock, vibration and Vc = 1.65V ± 1.5V.

² An internal pulldown resistor from pin 2 to pin 3 allows active output if pin 2 is left open. Note: A 0.01µF bypass capacitor should be placed between VDD (Pin 6) and GND (Pin 3) to minimize power supply line noise.

All specifications subject to change without notice.

VCP3_AXT Series Recommended Circuit



• ENABLE / DISABLE FUNCTION ²

(Pin 2)	OUTPUT (Pin 4, Pin 5)
OPEN	ACTIVE
'1' Level VIH ≥ VDD-1.1V	High Z
'0' Level VIL ≤ VDD-1.6V	ACTIVE