

TITLE: SPECIFICATION CONTROL DRAWING

PART IDENTIFIER: HPCA54XX.00W1
(XX) DB VALUE

DESCRIPTION: HIGH POWER ATTENUATOR, BERYLLIA

ASSEMBLY DWG: 1901434

1.0 SPECIFICATIONS:

1.1 ELECTRICAL:

- 1.1.1 IMPEDANCE: 50Ω NOMINAL.
- 1.1.2 FREQUENCY RANGE: DC-2.5 GHZ.
- 1.1.3 ATTENUATION VALUES AVAILABLE: 1-10DB AND 20DB.
- 1.1.4 ATTENUATION ACCURACY @ 1 GHZ: 1 - 10 DB, ±0.5 DB.
20 DB, ±1.0 DB.
- 1.1.5 INPUT POWER: 20 WATTS CW.
 - 1.1.5.1 FULL RATED POWER TO 100°C, DERATED LINEARLY TO 0 WATTS AT 150°C.
 - 1.1.5.2 PEAK POWER, 200 WATTS FOR 10US PULSE WIDTH @ 1% DUTY CYCLE.
- 1.1.6 VSWR: DC - 1 GHZ - 1.15 MAX.
1.1 - 2.5 GHZ - 1.35 MAX.

1.2 MECHANICAL:

- 1.2.1 OUTLINE DWG: SEE SHEET 2.
- 1.2.2 WORKMANSHIP: PER MIL-STD-454, REQUIREMENT 9, AND MIL-R-55342.

1.3 ENVIRONMENTAL:

- 1.3.1 TEMPERATURE RANGE:
 - 1.3.1.1 STORAGE: -65°C TO +150°C.
 - 1.3.1.2 OPERATING: -55°C TO +150°C.

2.0 UNIT MARKING: DB VALUE.
LEGIBILITY AND PERMANENCY PER MIL-STD-130.

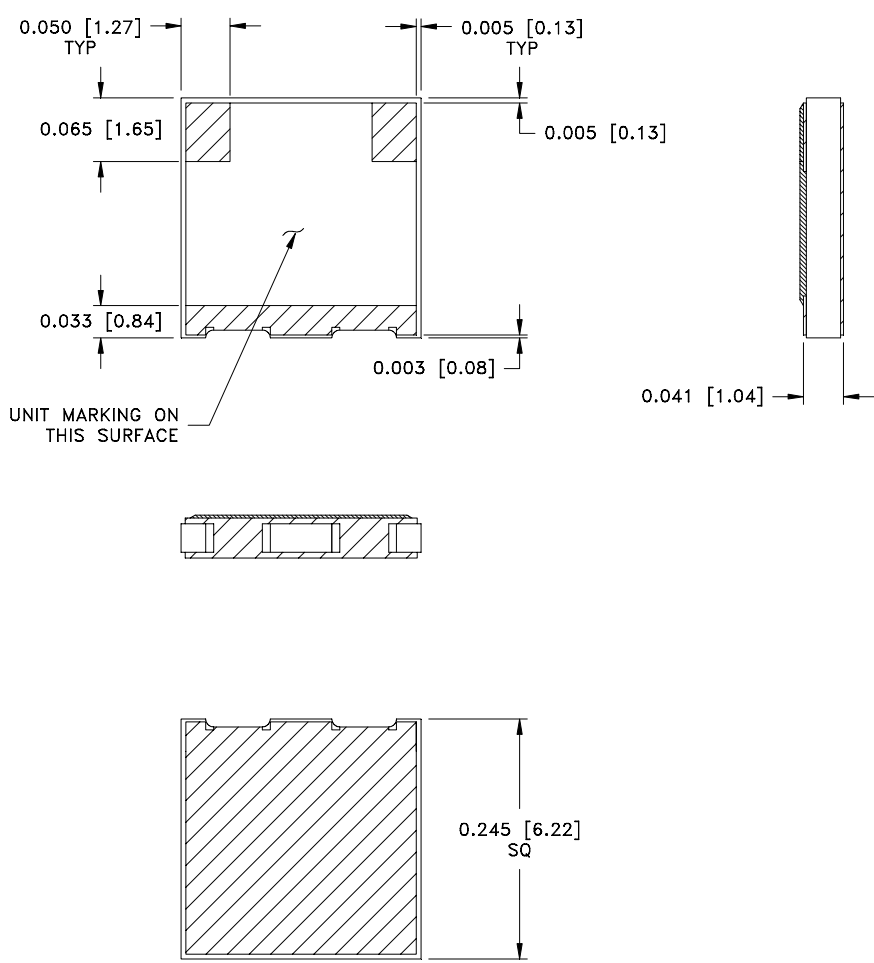
3.0 QUALITY ASSURANCE:

- 3.1 SAMPLE INSPECT PER ANSI/ASQC Z1.4, GENERAL INSPECTION, LEVEL II, AQL=1.0.
 - 3.1.1 VISUAL AND MECHANICAL EXAMINATION FOR CONFORMANCE TO MIL-R-55342 AND CONTROL DRAWING REQUIREMENTS.
 - 3.1.2 MEASURE AND RECORD VSWR AND ATTENUATION @ 500 MHZ, 1, 2, AND 2.5 GHZ.
 - 3.1.3 ACCEPTANCE LIMITS: APPLY AT 1 GHZ ONLY.
 - 3.1.3.1 VSWR: 1.15 MAX.
 - 3.1.3.2 ATTENUATION: ±0.5 DB FOR 1 THRU 10 DB.
±1.0 DB FOR 20 DB.
- 3.2 DATA REQUIREMENTS:
 - 3.2.1 NO TEST DATA REQUIRED FOR CUSTOMER.
 - 3.2.2 DATA RETENTION - STANDARD.

4.0 PACKAGING: STANDARD BULK PACK PER MC0023.

	INT	DATE		INT	DATE		INT	DATE	
CC			SALES			MFG			
MC			QA			ENG			
EMC TECHNOLOGY, INC. 1971 OLD CUTHBERT ROAD CHERRY HILL, NJ 08034			CAGE CODE # 24602				DWG #	1009135000	
			CHANGE NOTICE	EN 98-255			REV LVL	-	
								SHEET	1 OF 2

PART ID REF
HPCA54XX.00W1



MECHANICAL SPECIFICATIONS:

SUBSTRATE:
MATERIAL - BERYLLIA, ASTM F356.

TERMINAL:
MATERIAL - THICK FILM, NICKEL BARRIER,
SOLDER PLATED.

RESISTIVE ELEMENT:
MATERIAL - THICK FILM.



METRIC EQUIVALENTS GIVEN IN [mm]
FOR REFERENCE INFORMATION ONLY

EMC TECHNOLOGY INC
1971 OLD CUTHBERT RD
CHERRY HILL NJ 08034
PHONE NO. (856) 429-7800
FAX NO. (856) 429-1807

UNLESS OTHERWISE SPECIFIED DIMENSIONS ARE IN INCHES TOLERANCES
FRACT --- --
ANG --- --
XX --- --
XXX ±0.005
XXXX --- --

THESE DRAWINGS AND SPECIFICATIONS ARE THE PROPERTY OF EMC TECHNOLOGY INC AND SHALL NOT BE DUPLICATED OR USED AS BASIS FOR THE MANUFACTURE OR SALE OF PARTS OR DEVICES WITHOUT PERMISSION.

CAGE CODE 24602	SCALE 8:1	DRAWN BY DAR 2-2-99	CHECKED BY	APPROVED BY FJV 2-2-99
REV -	CHANGE NOTICE EN 98-255	DRAWING NO 1009135000	SHEET 2 OF 2	