

OUTPUT**Frequency**

5 MHz

Level

+13 dBm ± 2 dB into 50 ohms

STABILITY**Aging (typical)**1 x 10⁻¹⁰ per day after 30 days operating3 x 10⁻⁸ second year2 x 10⁻⁸ per year, thereafter**Phase Noise L(f)**

	Standard	Premium
10 Hz	-140 dBc/Hz	-150 dBc/Hz
100 Hz	-158 dBc/Hz	-165 dBc/Hz
1 kHz	-165 dBc/Hz	-167 dBc/Hz
10 kHz	-165 dBc/Hz	-170 dBc/Hz

Temperature Stability**E:** ±1 x 10⁻⁹, 0° to +50°C (Ref +25°C)**F:** ±2 x 10⁻⁹, -20° to +70°C (Ref +25°C)**G:** ±5 x 10⁻⁹, -55° to +85°C (Ref +25°C)**Harmonics**

≤ -30 dBc

Spurious

≤ -80 dBc, excluding power supply line related spurs

MECHANICAL**Packaging**

A: Solder sealed steel can with brackets

B: Solder sealed steel can with studs

Dimensions

1.5 x 1.5 x 3"

Connectors

SMA(f) and solder eyelets

POWER REQUIREMENTS**Warm-Up Power**

≤ 4 Watts for 5 minutes at +25°C

Total Power

≤ 1.3 Watts at +25°C

Supply Voltage

+15 VDC ±5% or +12 VDC ±5%

ADJUSTMENT

(consult factory for non-standard tuning options)

Mechanical Tuning±1 x 10⁻⁶**Electrical Tuning**±2 x 10⁻⁷, ±5 VDC, Negative slope**CRYSTAL****Type**

5 MHz SC-cut

REV	DATE	REVISION RECORD	DWN	AUTH
-	12-2-13	Initial Release	CB	

Ordering Options

-XX	Voltage	Phase Noise L(f)	Package	Temp (Ref +25°C)
01	+15V	Standard	A	E
02	+15V	Standard	A	F
03	+15V	Standard	A	G
04	+15V	Standard	B	E
05	+15V	Standard	B	F
06	+15V	Standard	B	G
11	+15V	Premium	A	E
12	+15V	Premium	A	F
13	+15V	Premium	A	G
14	+15V	Premium	B	E
15	+15V	Premium	B	F
16	+15V	Premium	B	G
21	+12V	Standard	A	E
22	+12V	Standard	A	F
23	+12V	Standard	A	G
24	+12V	Standard	B	E
25	+12V	Standard	B	F
26	+12V	Standard	B	G
31	+12V	Premium	A	E
32	+12V	Premium	A	F
33	+12V	Premium	A	G
34	+12V	Premium	B	E
35	+12V	Premium	B	F
36	+12V	Premium	B	G

Wenzel Associates, Inc.

Austin, Texas

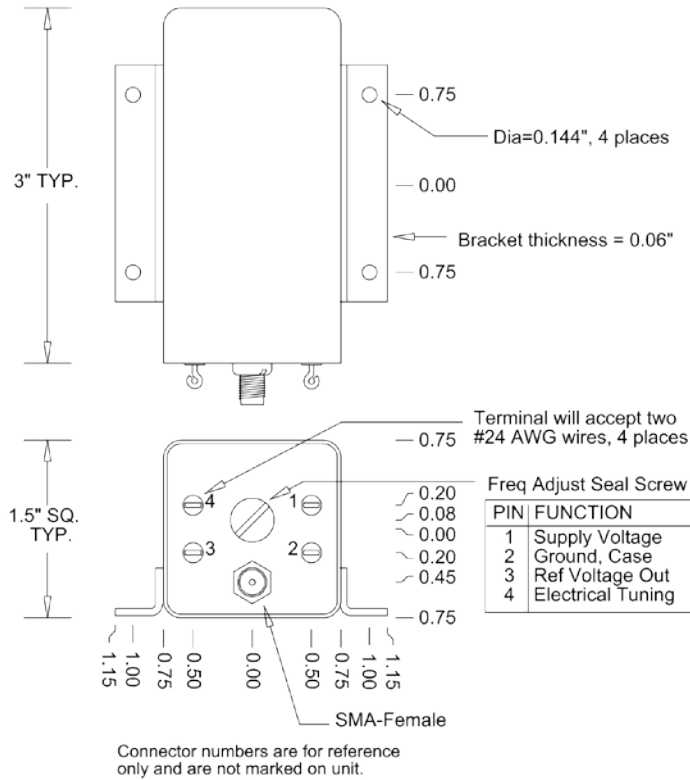
Title:

5 MHz-SC Small Fry Crystal Oscillator

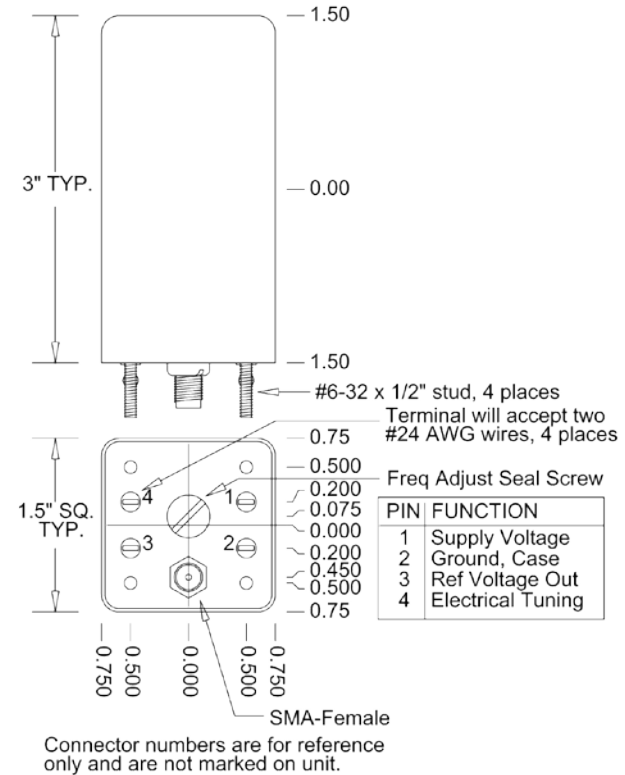
P/N: 501-27518-xx	Rev: -	Date: 12-2-13	Drawn:	Ref:
-----------------------------	-----------	-------------------------	--------	------

Tolerances: (except as noted) Dimensions are in inches	0.XX Dec: ±0.030"	0.XXX Dec: ±0.010"	FSCM: 62821	Page 1 of 2
--	-----------------------------	------------------------------	-----------------------	-------------

Package A



Package B



Wenzel Associates, Inc.

Austin, Texas

Title:

5 MHz-SC Small Fry Crystal Oscillator

P/N: 501-27518-xx	Rev: -	Date: 12-2-13	Drawn:	Ref:
Tolerances: (except as noted) Dimensions are in inches		0.XX Dec: ±0.030"	0.XXX Dec: ±0.010"	FSCM: 62821