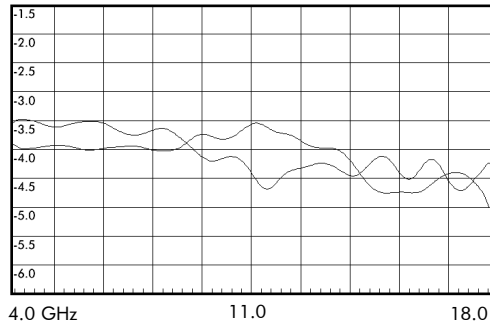
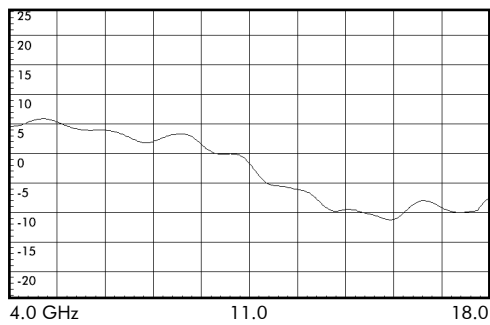


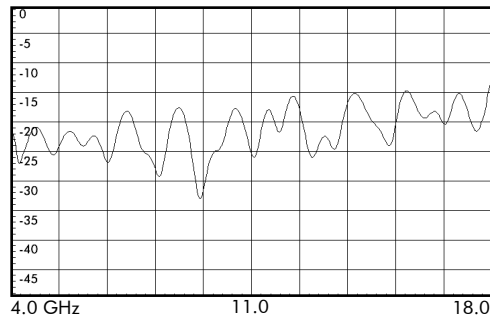
**Coupling (dB)**



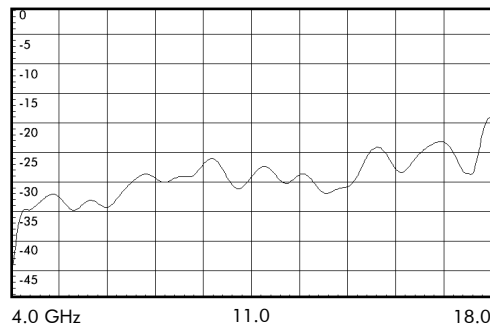
**Phase (deg.)**



**Return Loss (dB)**



**Isolation (dB)**



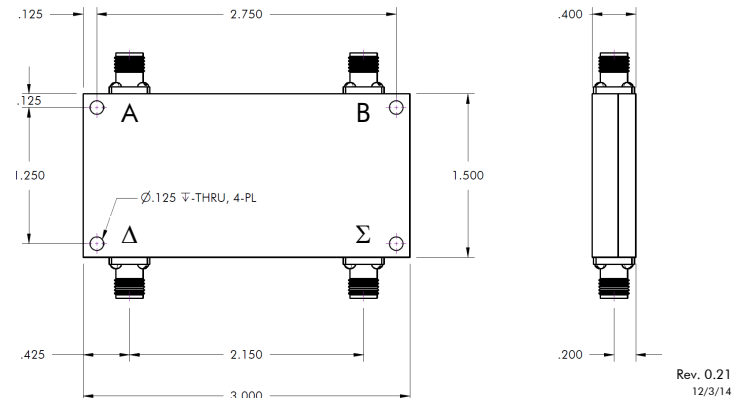
## ELECTRICAL SPECIFICATIONS

Frequency Range.....	4,000~18,000 MHz
Insertion Loss.....	1.5 dB, max.
Input Power.....	20 Watts, max.
Input/Output VSWR.....	1.8:1, max.
Isolation.....	18 dB, min.
Phase Balance.....	±15 deg., max.
Amplitude Balance.....	±0.8 dB, max.
Connection Interface.....	SMA-Female

## FEATURES

- All units serialized with test data provided.
- Multi-octave bandwidth coverage.
- Materials selected for target intermodulation of -145 dBc or better.

## MECHANICAL OUTLINE



Electrical data, mechanical outline, specification and product photo are representative. Unit-to-unit performance and appearance may vary. Specifications contained herein are subject to change without notice. This document does not constitute a contract of any kind.