

# ISOLATOR N-F 380-460 MHz

SFI3846N

## SPECIFICATIONS

### ELECTRICAL

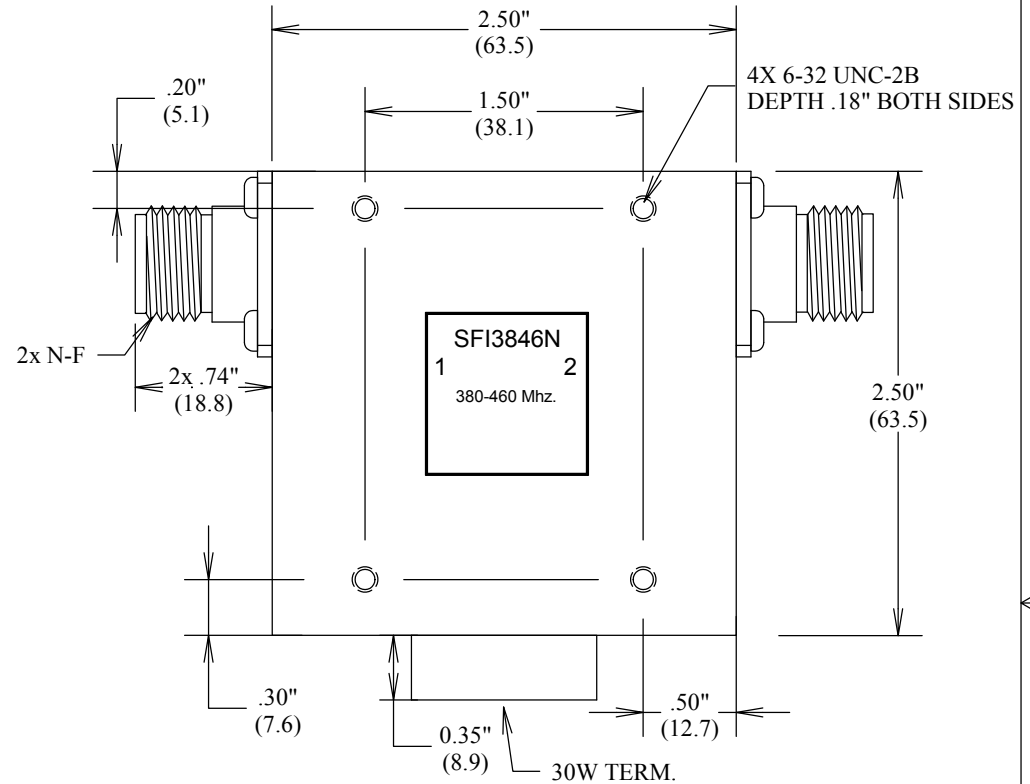
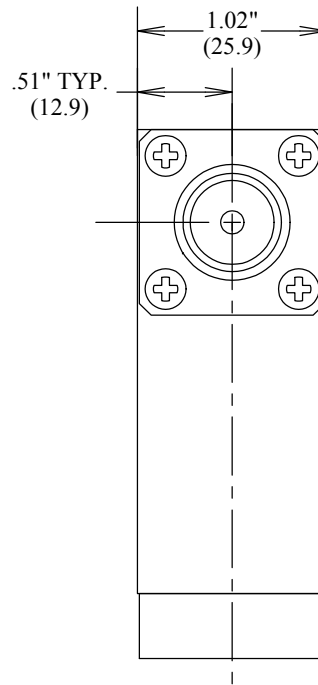
FREQUENCY: 380-460 MHz  
 IMPEDANCE: 50 OHMS  
 INS LOSS: 0.35 dB MAX  
 VSWR: 1.25:1 MAX  
 FORWARD POWER : 1kW  
 REVERSE POWER : 30W  
 ISOLATION: 20 DB MIN

### MECHANICAL

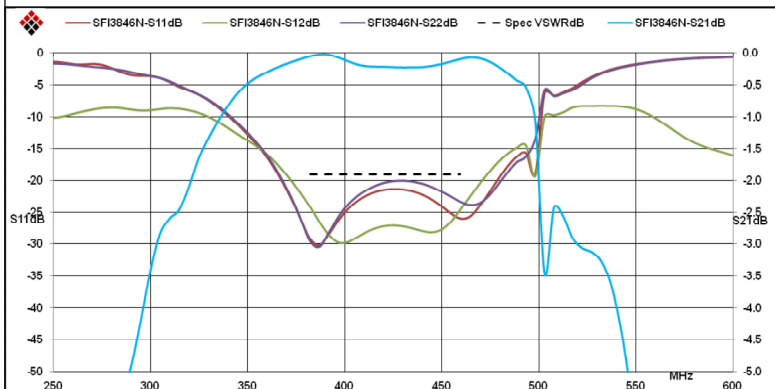
HOUSING: ALUMINUM,  
 Ni PLATED STAINLESS STEEL COVER  
 CONNECTORS: N-F: Ni PLATED BRASS  
 CONNECTOR CONTACTS: BeCu

OPERATING TEMPERATURE: -20°C to +70°C

ROHS COMPLIANT



### MEASUREMENTS BELOW ARE TYPICAL



ALL DIMENSIONS IN inches(mm) Typical

**FAIRVIEW MICROWAVE INC.**

ALLEN, TX 75013 WWW.FAIRVIEWMICROWAVE.COM

TITLE

**ISOLATOR N-F 380-460 MHz**

SIZE	CAGE CODE	DWG NO	REV
<b>A</b>	<b>3FKR5</b>	<b>SFI3846N</b>	--
SCALE	SHEET		