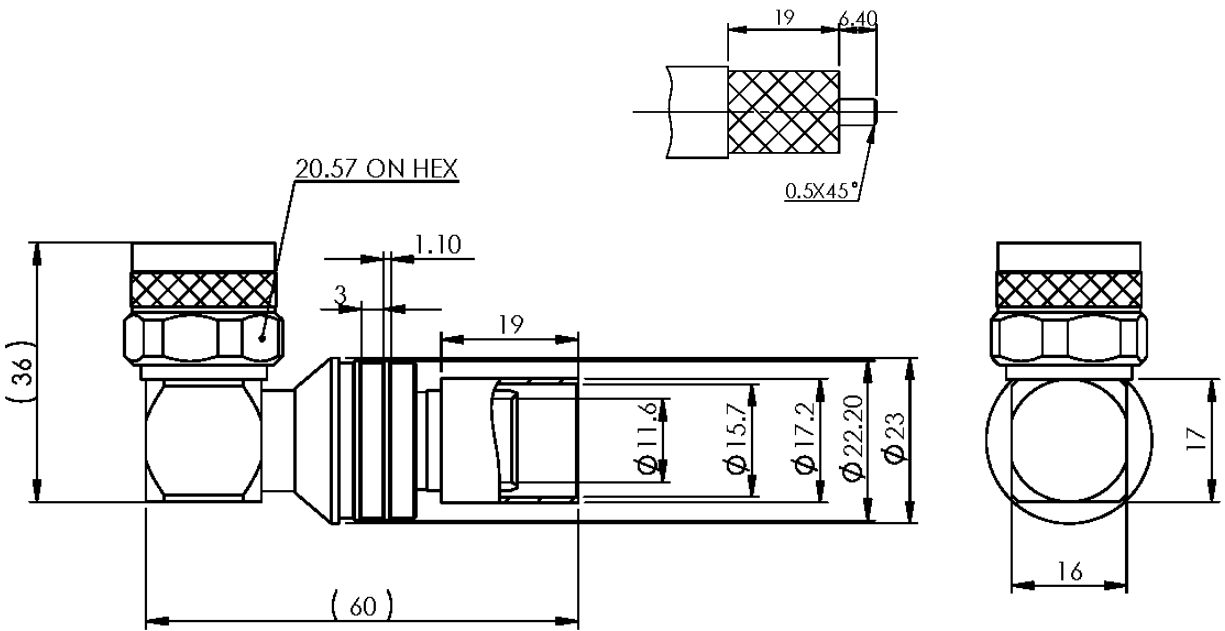


**NOTICE OF PROPRIETARY RIGHTS** THIS DOCUMENT CONTAINS CONFIDENTIAL TECHNICAL DATA, INCLUDING TRADE SECRETS, PROPRIETARY TO TIMES MICROWAVE SYSTEMS. DISCLOSURE OF THIS DATA IS EXPRESSLY CONDITIONED UPON YOUR ASSENT THAT ITS USE IS LIMITED TO USE WITHIN YOUR COMPANY ONLY. ANY OTHER USE IS STRICTLY PROHIBITED WITHOUT THE PRIOR WRITTEN CONSENT OF TIMES MICROWAVE SYSTEMS.

SYM	REVISION DESCRIPTION	DFTM	DATE	APPD	DATE
A	RELEASED FOR PRODUCTION	K.A.M.	5/20/11	J.D.B.	6/9/11



Reference standard IEC60169-16

**I. Electric Performance**

Nominal Impedance(Ω): 50  
 Frequency Range: DC-6GHz  
 VSWR: ≤1.35  
 Insert Loss: ≤ 0.10(0-3G)  
 Insulation resistance (MΩ) >5000  
 Proof voltage (V) 2500  
 Conductor resistance (mΩ) outer conductor <0.4  
 inner conductor <0.8

**II. Mechanical Performance**

Whorl pull 500N  
 Nut torque 5N.m  
 Tensile force(cable-connect) 300N  
 Torsion(cable-connect) 3N.m

**III. Material and plating :**

Component	Material
inner conductor	Beryllium copper
outer conductor	Brass
insulator	PTFE
nut	Brass

Plating  
 Au>1.27um  
 Copper-tin-zinc>2um  
 Copper-tin-zinc>2um

**IV. Environment**

Temp.range  
 Weather standard  
 Thermal shock  
 Vibration  
 Shock  
 ROHS compliant

-55℃~+155℃  
 IEC 60068 55 / 155/ 56  
 US MIL-STD 202,Meth.107,Cond.B  
 US MIL-STD 202,Meth.204,Cond.B  
 US MIL-STD 202,Meth.213,Cond.I

**V. Assemble: inner conductor installed and outer conductor crimped**

MATL:	UNLESS OTHERWISE SPECIFIED		DFTM. K. A. M.	TIMES MICROWAVE SYSTEMS
	ALL DIMENSIONS ARE IN mm		DATE 5/20/11	
USED ON:			CHKD. J. D. B.	CONNECTOR, 90° NM FOR LMR-600 (EZ-600-NMH-RA-X)
			DATE 6/9/11	
SCALE: ~	DWG. SIZE A	DO NOT SCALE DRAWING	APPD. J. D. B.	SHEET 1 of 1
			DATE 6/9/11	
		CODE IDENT 68999		REV A