

# SMA-M CONNECTOR RG174 RG316 CRIMP

SC7059

## SPECIFICATIONS

### ELECTRICAL:

FREQUENCY: 0-3 GHZ  
VSWR 1.25:1 MAX  
IMPEDANCE: 50 OHMS

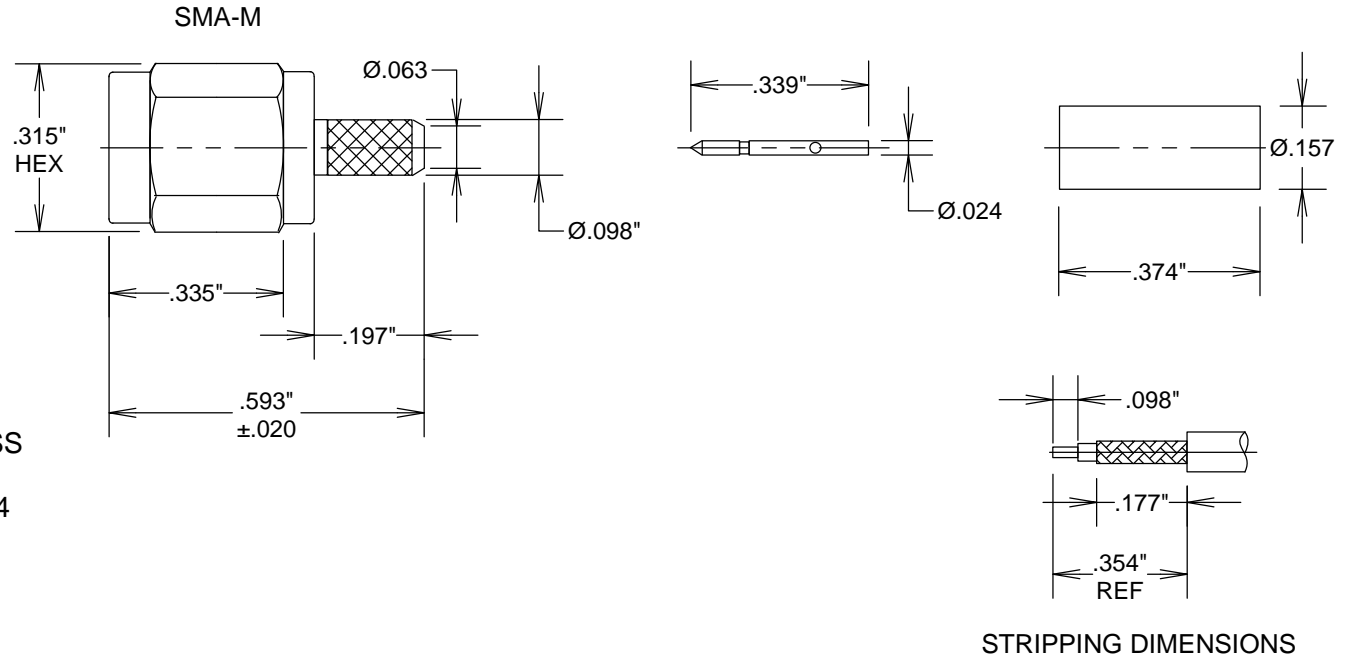
### MECHANICAL:

MATERIAL BODY: NICKLE PLATED BRASS  
CENTER CONTACT: BRASS  
CONTACT PLATING: Au PER MIL-G-45204  
INSULATOR: TEFLON  
INTERFACE: MIL-STD-348A

### ENVIRONMENTAL

OP. TEMP RANGE: -65°C- +165°C

ROHS COMPLIANT



STRIPPING DIMENSIONS

**FAIRVIEW MICROWAVE INC.**

ALLEN, TX 75013 WWW.FAIRVIEWMICROWAVE.COM

TITLE

**SMA-M CONNECTOR RG174 RG316  
CRIMP**

| SIZE     | CAGE CODE    | DWG NO        | REV |
|----------|--------------|---------------|-----|
| <b>A</b> | <b>3FKR5</b> | <b>SC7059</b> | --  |

SCALE

SHEET