

ISOLATOR 1-2GHZ

SFI1020-N

SPECIFICATIONS

ELECTRICAL

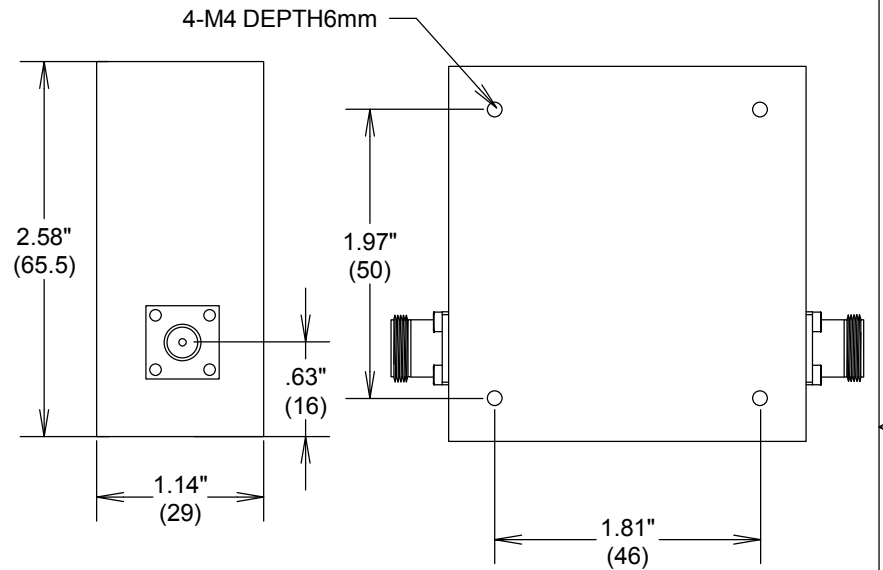
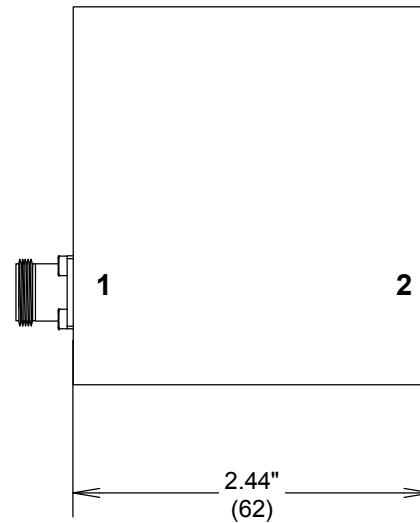
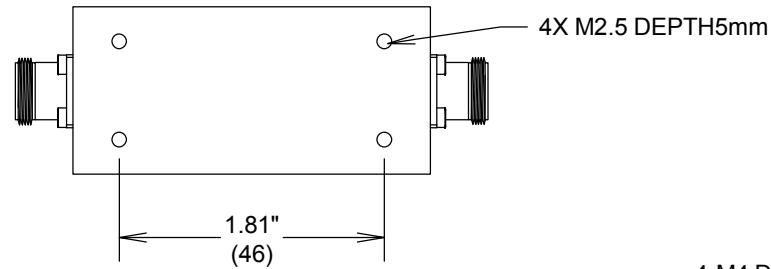
FREQUENCY: 1-2 GHZ
 IMPEDANCE: 50 OHMS
 VSWR: 1.35:1 MAX
 POWER_{in}: 10W MAX
 ISOLATION: 17DB MIN
 INSERTION LOSS: 0.5 dB

MECHANICAL

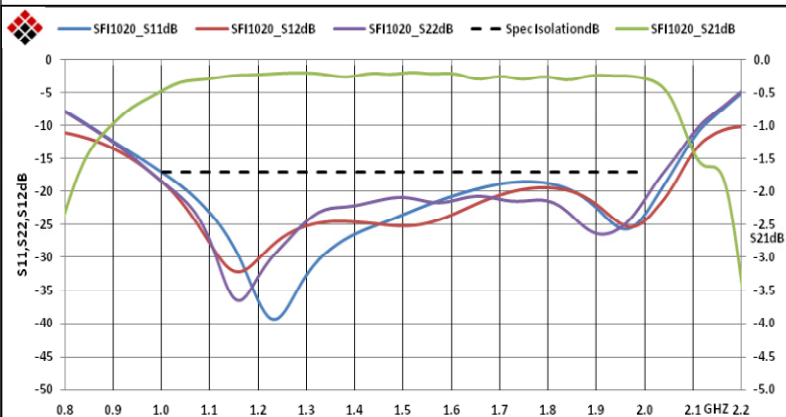
HOUSING: ALUMINUM
 CONNECTORS: N-F, Ni PLATED BRASS

OPERATING TEMP RANGE: -40°C to +70°C

ROHS COMPLIANT



MEASUREMENTS BELOW ARE TYPICAL



ALL DIMENSIONS IN inches(MM) Typical

FAIRVIEW MICROWAVE INC.

ALLEN, TX 75013 WWW.FAIRVIEWMICROWAVE.COM

TITLE

ISOLATOR 1-2GHZ

SIZE

A

CAGE CODE

3FKR5

DWG NO

SFI1020-N

REV

--

SCALE

SHEET